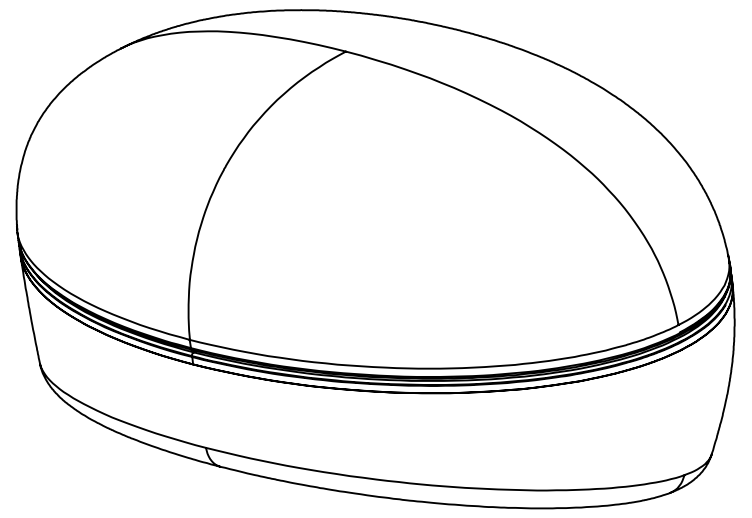
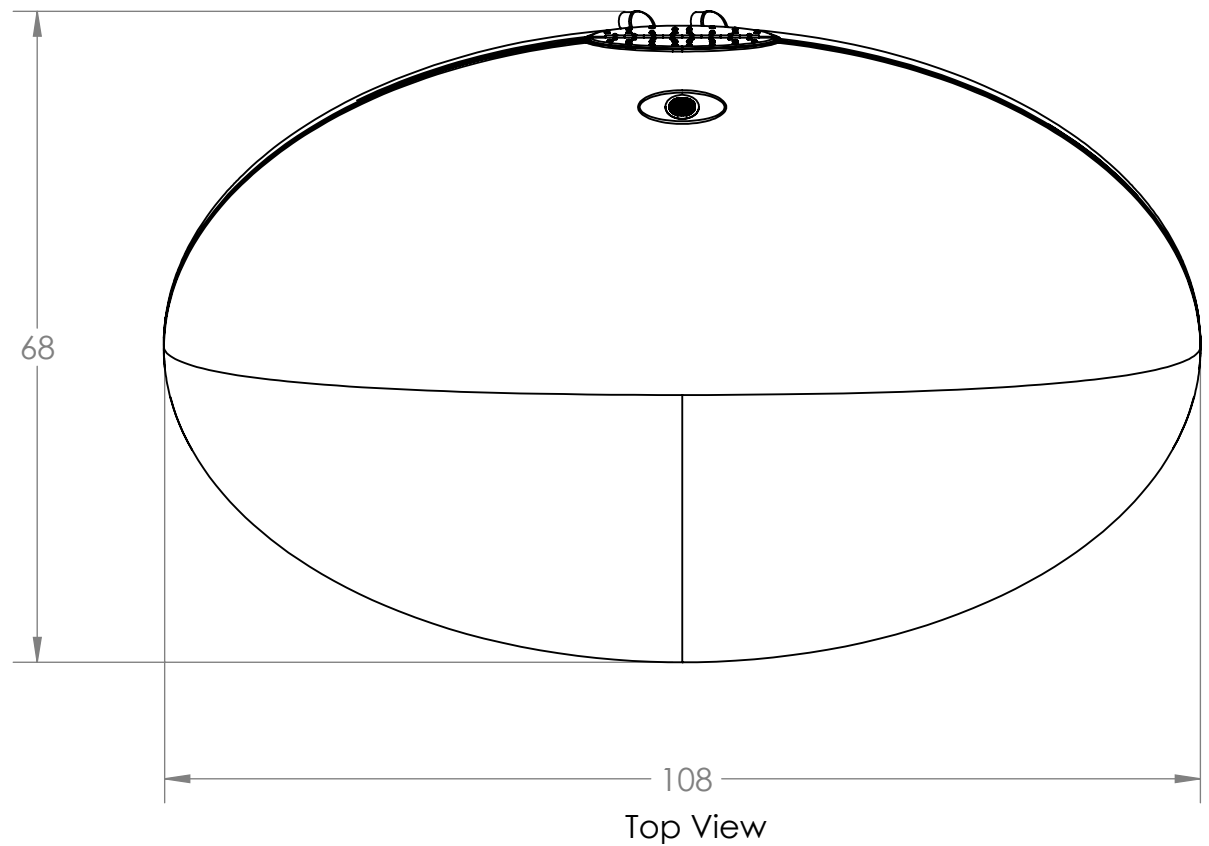
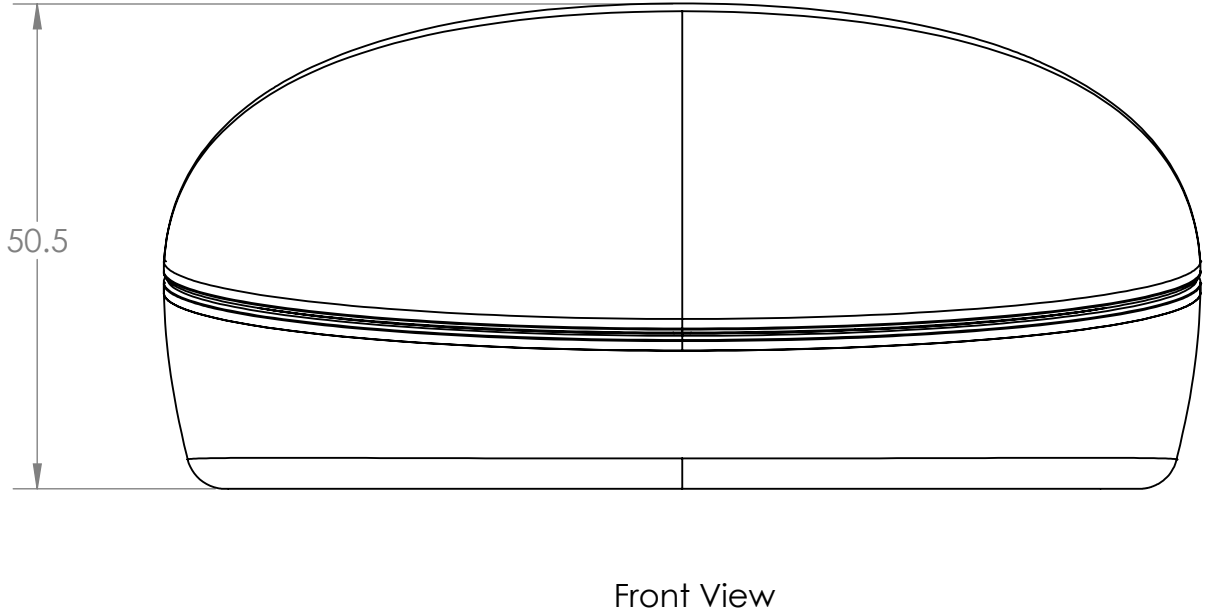


8 7 6 5 4 3 2 1

REVISIONS				
REV	DESCRIPTION	DRAWN	CHECKED	APPROVED
-	Initial Release	-	-	-

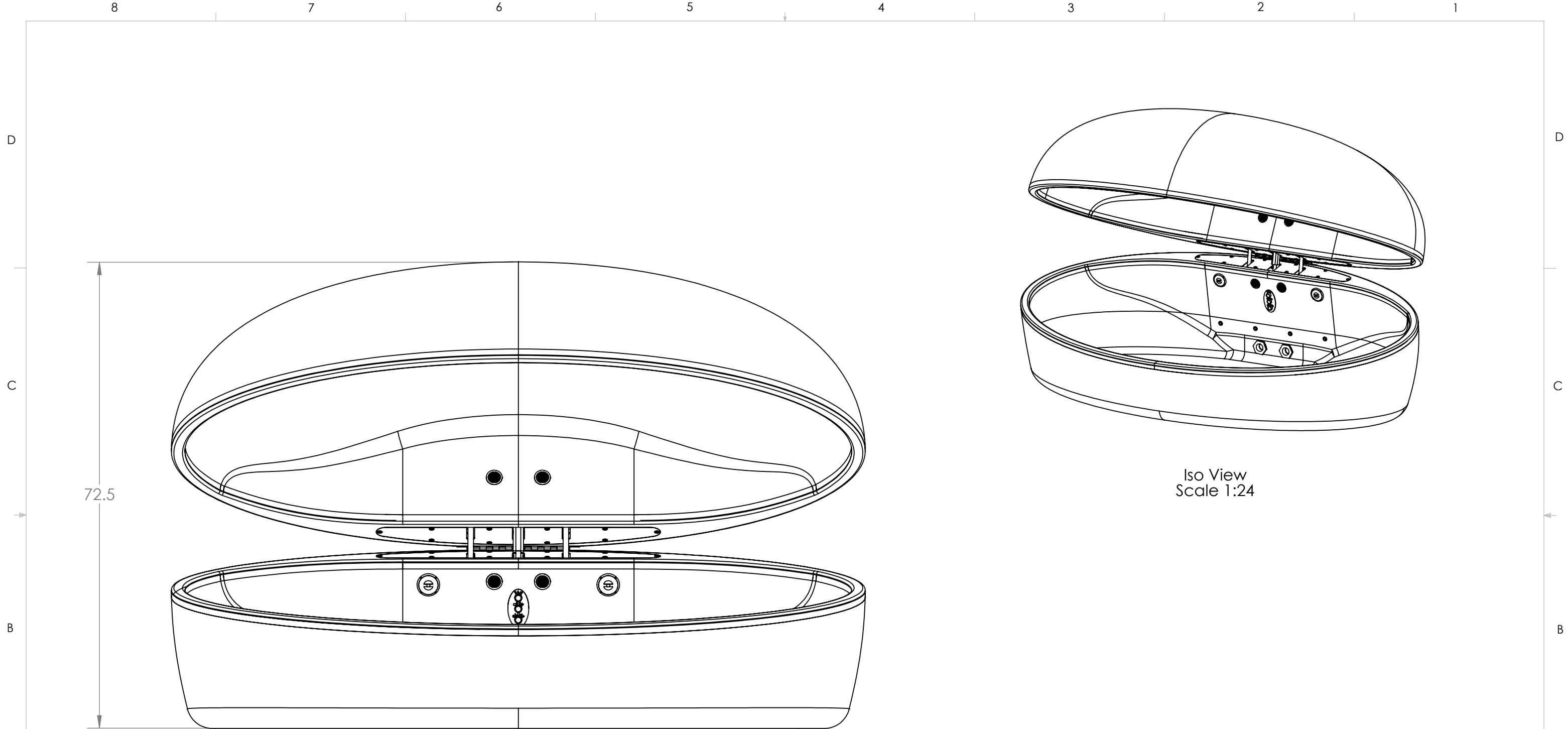


Iso View
Scale 1:24



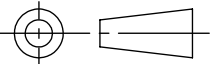
NEXT ASSY		NAME	DATE	Superior Float Tanks TITLE: Bright Floatation Pod Dimensions
XXXX-XXXXXX-X-XXX		DRAWN	-	
THIRD ANGLE PROJECTION		CHECKED	-	
		ENG APPR.	-	
		MFG APPR.	-	SIZE B DWG. NO. N/A
UNLESS OTHERWISE SPECIFIED ALL DIMENSIONS ARE IN INCHES THE FOLLOWING TOLERANCES APPLY X = ±0.25 X.X = ±0.125 X.XX = ±0.030 X.XXX = ±0.010 X° = ±2° X.X° = ±1°		PROPRIETARY AND CONFIDENTIAL THE INFORMATION CONTAINED IN THIS DRAWING IS THE SOLE PROPERTY OF BRIGHT AEROSPACE. ANY REPRODUCTION IN PART OR AS A WHOLE WITHOUT THE WRITTEN PERMISSION OF BRIGHT AEROSPACE IS PROHIBITED.		SCALE: 1:20 WEIGHT: 1 OF 4
DO NOT SCALE DRAWING				

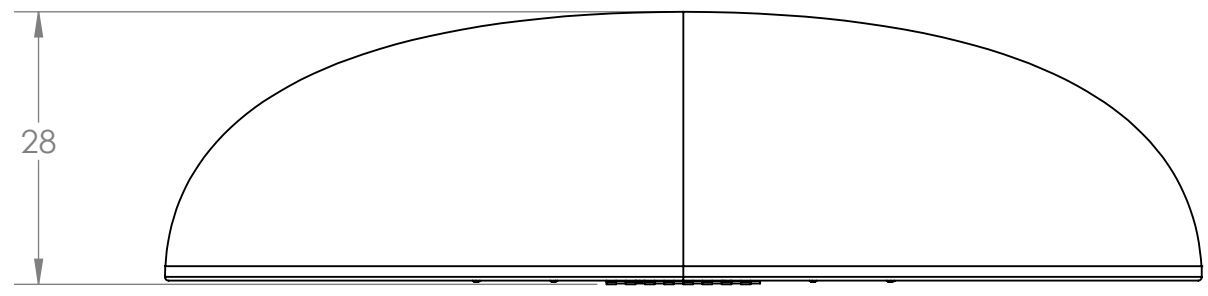
8 7 6 5 4 3 2 1



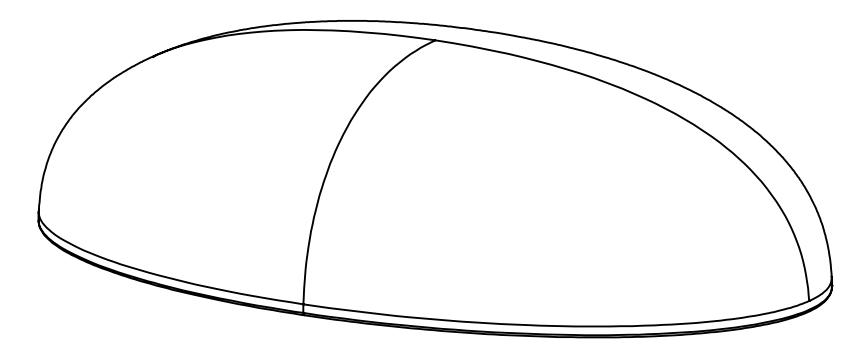
Front View

Iso View
Scale 1:24

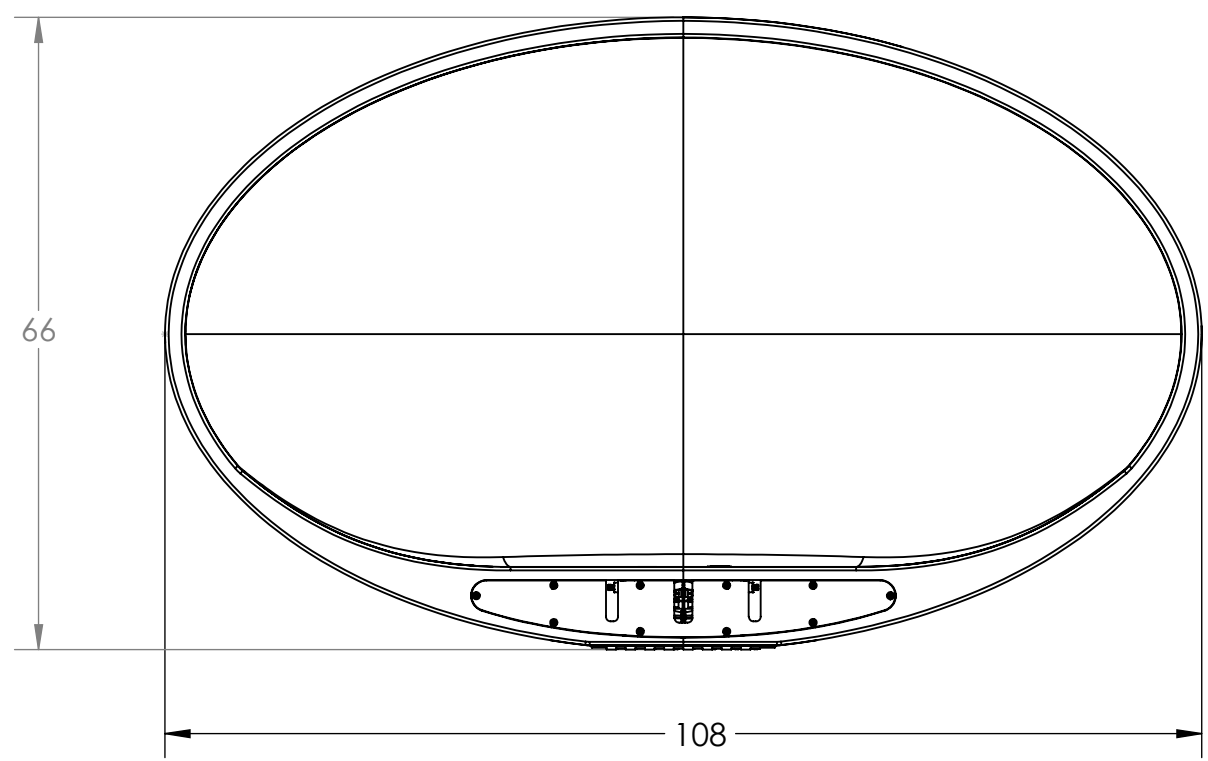
NEXT ASSY		NAME	DATE	Superior Float Tanks
XXXX-XXXXXX-X-XXX		DRAWN	-	
THIRD ANGLE PROJECTION		CHECKED	-	
		ENG APPR.	-	
		MFG APPR.	-	
<small>UNLESS OTHERWISE SPECIFIED ALL DIMENSIONS ARE IN INCHES THE FOLLOWING TOLERANCES APPLY</small> X = ±0.25 X.X = ±0.125 X.XX = ±0.030 X.XXX = ±0.010 X° = ±2° X.X° = ±1°		PROPRIETARY AND CONFIDENTIAL		Bright Floatation Pod Dimensions
<small>THE INFORMATION CONTAINED IN THIS DRAWING IS THE SOLE PROPERTY OF BRIGHT AEROSPACE. ANY REPRODUCTION IN PART OR AS A WHOLE WITHOUT THE WRITTEN PERMISSION OF BRIGHT AEROSPACE IS PROHIBITED.</small>		SIZE	DWG. NO.	
DO NOT SCALE DRAWING				N/A
		SCALE: 1:20	WEIGHT:	2 OF 4



Front View

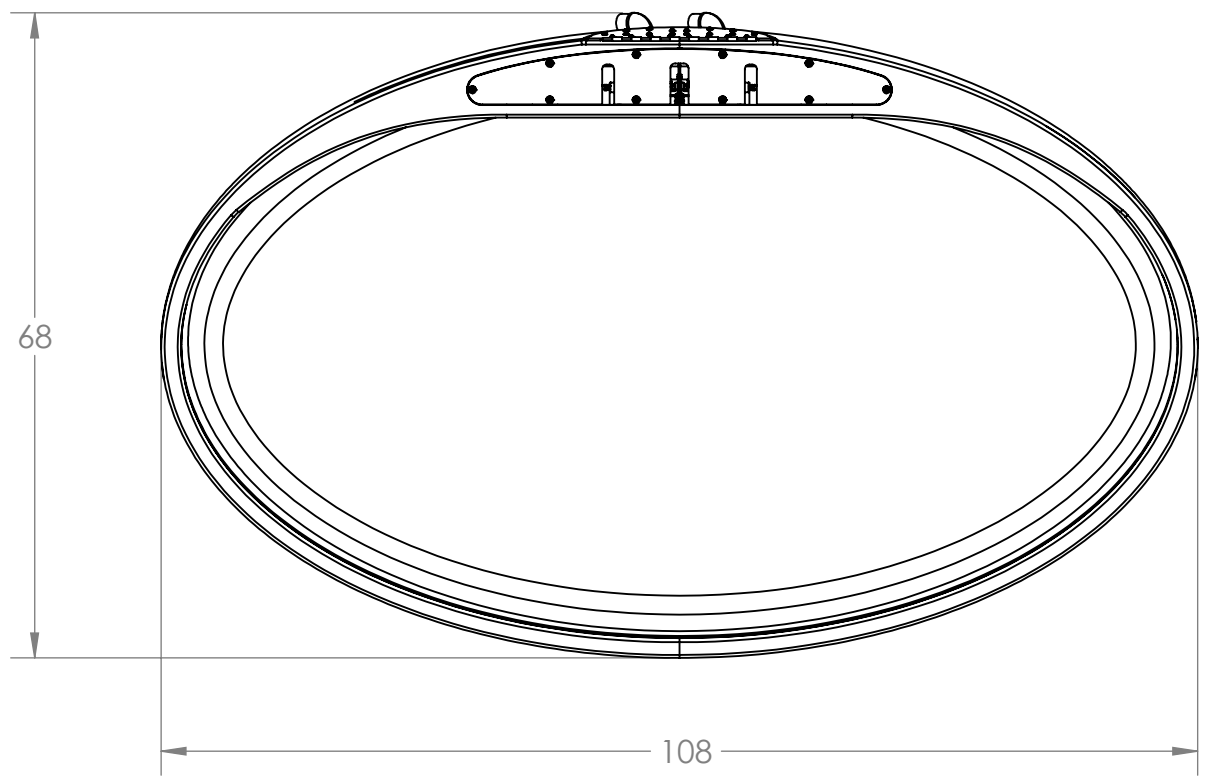


Iso View
Scale 1:24

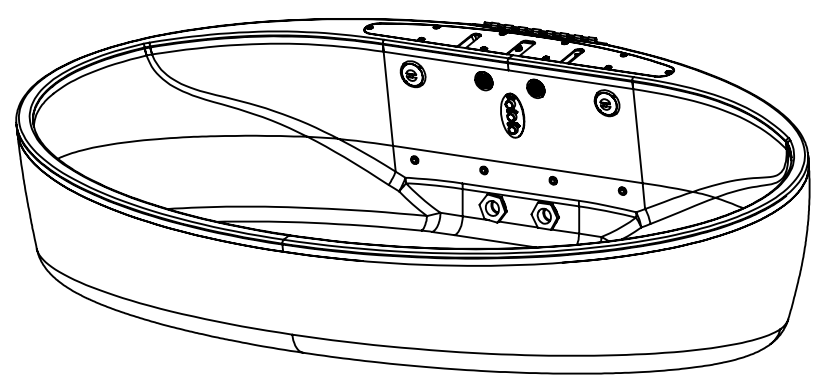


Bottom View

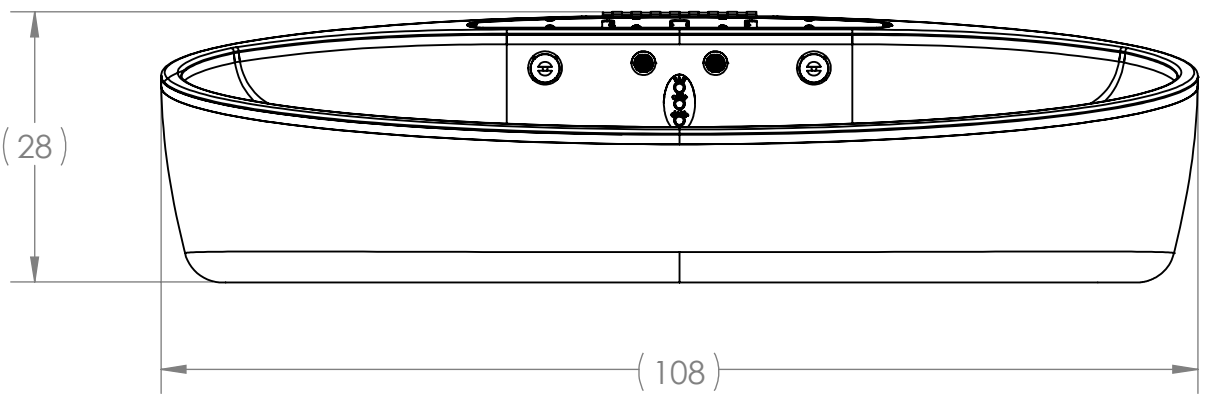
NEXT ASSY	NAME	DATE	Superior Float Tanks	
XXXX-XXXXXX-X-XXX	DRAWN	-		
THIRD ANGLE PROJECTION	CHECKED	-	TITLE: Bright Floatation Pod Dimensions	
	ENG APPR.	-		
	MFG APPR.	-		
UNLESS OTHERWISE SPECIFIED ALL DIMENSIONS ARE IN INCHES THE FOLLOWING TOLERANCES APPLY X = ±0.25 X.X = ±0.125 X.XX = ±0.030 X.XXX = ±0.010 X* = ±2° X.X* = ±1°	PROPRIETARY AND CONFIDENTIAL THE INFORMATION CONTAINED IN THIS DRAWING IS THE SOLE PROPERTY OF BRIGHT AEROSPACE. ANY REPRODUCTION IN PART OR AS A WHOLE WITHOUT THE WRITTEN PERMISSION OF BRIGHT AEROSPACE IS PROHIBITED.		SIZE B	DWG. NO. N/A
DO NOT SCALE DRAWING			SCALE: 1:20	WEIGHT: 3 OF 4



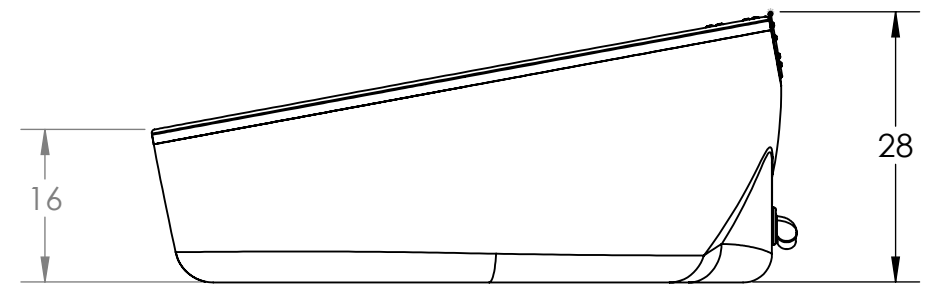
Top View



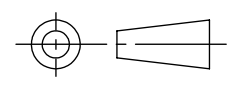
Iso View
Scale 1:24



Front View



Side View

NEXT ASSY XXXX-XXXXXX-X-XXX		DRAWN	-	DATE	-	Superior Float Tanks		
THIRD ANGLE PROJECTION		CHECKED	-				TITLE:	
		ENG APPR.	-				Bright Floatation Pod Dimensions	
		MFG APPR.	-					
<small>UNLESS OTHERWISE SPECIFIED ALL DIMENSIONS ARE IN INCHES THE FOLLOWING TOLERANCES APPLY</small> X = ±0.25 X.X = ±0.125 X.XX = ±0.030 X.XXX = ±0.010 X° = ±2° X.X° = ±1°		PROPRIETARY AND CONFIDENTIAL			<small>THE INFORMATION CONTAINED IN THIS DRAWING IS THE SOLE PROPERTY OF BRIGHT AEROSPACE. ANY REPRODUCTION IN PART OR AS A WHOLE WITHOUT THE WRITTEN PERMISSION OF BRIGHT AEROSPACE IS PROHIBITED.</small>		SIZE B	DWG. NO. N/A
DO NOT SCALE DRAWING					SCALE: 1:20	WEIGHT:	4 OF 4	