

**CLASSIC SERIES**  
**INSTALLATION AND MAINTENANCE MANUAL**  
.....  
**PERISTALTIC METERING PUMPS SINCE 1957**

**⚠ WARNING**

TO BE INSTALLED AND MAINTAINED BY PROPERLY TRAINED  
PROFESSIONAL INSTALLER ONLY. READ MANUAL & LABELS  
FOR ALL SAFETY INFORMATION & INSTRUCTIONS.

# TABLE OF CONTENTS

<b>WARRANTY AND SERVICE POLICY</b> .....	3
<b>SAFETY INFORMATION</b> .....	4-11, 14-17, 19-23, 26, 27, 30, 34
<b>OUTPUTS</b> .....	6-11
<b>MATERIALS OF CONSTRUCTION</b> .....	12
<b>ACCESSORIES</b> .....	13
<b>INSTALLATION</b> .....	14-22
<b>TROUBLESHOOTING</b> .....	23-26
<b>TUBE REPLACEMENT</b> .....	27-33
<b>CLEANING THE POINT OF INJECTION</b> .....	34-36
<b>MOTOR – EXPLODED VIEW AND PARTS</b> .....	37-40
<b>FEED RATE CONTROL – EXPLODED VIEW AND PARTS</b> .....	41-42
<b>PUMP HEAD – EXPLODED VIEW AND PARTS</b> .....	43-46
<b>PUMP TUBES</b> .....	47
<b>CHECK VALVES</b> .....	48
<b>FOR YOUR RECORDS</b> .....	49

IMCL 120418b

# WARRANTY AND CUSTOMER SERVICE

## LIMITED WARRANTY

Stenner Pump Company will for a period of one (1) year from the date of purchase (proof of purchase required) repair or replace – at our option – all defective parts. Stenner is not responsible for any removal or installation costs. Pump tube assemblies and rubber components are considered perishable and are not covered in this warranty. Pump tube will be replaced each time a pump is in for service, unless otherwise specified. The cost of the pump tube replacement will be the responsibility of the customer. Stenner will incur shipping costs for warranty products shipped from our factory in Jacksonville, Florida. Any tampering with major components, chemical damage, faulty wiring, weather conditions, water damage, power surges, or products not used with reasonable care and maintained in accordance with the instructions will void the warranty. Stenner limits its liability solely to the cost of the original product. We make no other warranty expressed or implied.

## RETURNS

Stenner offers a 30-day return policy on factory direct purchases. Except as otherwise provided, no merchandise will be accepted for return after 30 days from purchase. To return merchandise at any time, call Stenner at 800.683.2378 for a Return Merchandise Authorization (RMA) number. A 15% re-stocking fee will be applied. Include a copy of your invoice or packing slip with your return.

## DAMAGED OR LOST SHIPMENTS

All truck shipments: Check your order immediately upon arrival. All damage must be noted on the delivery receipt. Call Stenner Customer Service at 800.683.2378 for all shortages and damages within seven (7) days of receipt.

## SERVICE & REPAIRS

Before returning a pump for warranty or repair, remove chemical from pump tube by running water through the tube, and then run the pump dry. Following expiration of the warranty period, Stenner Pump Company will clean and overhaul any Stenner metering pump for a minimum labor charge plus necessary replacement parts and shipping. All metering pumps received for overhaul will be restored to their original condition. The customer will be charged for missing parts unless specific instructions are given. To return merchandise for repair, call Stenner at 800.683.2378 or 904.641.1666 for a Return Merchandise Authorization (RMA) number.

## DISCLAIMER

The information contained in this manual is not intended for specific application purposes. Stenner Pump Company reserves the right to make changes to prices, products, and specifications at any time without prior notice.

## TRADEMARKS

QuickPro® is a registered trademark of the Stenner Pump Company.

Santoprene® is a registered trademark of Exxon Mobil Corporation.

Versilon® is a registered trademark of Saint-Gobain Performance Plastics.

Pellethane® is a registered trademark of Lubrizol Advanced Materials, Inc.

AquaShield™ is a trademark of Houghton International.

# SAFETY INFORMATION

## IMPORTANT SAFETY INSTRUCTIONS

When installing and using this electrical equipment, basic safety precautions should always be followed, including the following:

### READ AND FOLLOW ALL INSTRUCTIONS



**⚠ WARNING** Warns about hazards that **CAN** cause death, serious personal injury, or property damage if ignored.



**⚠ WARNING** **ELECTRIC SHOCK HAZARD**



**⚠ WARNING** **ELECTRIC SHOCK HAZARD**

Pump supplied with grounding power cord and attached plug. To reduce risk of electrical shock, connect only to a properly grounded, grounding type receptacle. Install only on a circuit protected by a Ground-Fault Circuit-Interrupter (GFCI).



**⚠ AVERTISSEMENT** **DANGER DE CHOC ÉLECTRIQUE**

La pompe est dotée d'un cordon d'alimentation avec mise à la terre muni d'une fiche. Pour réduire le risque de choc électrique, branchez uniquement sur une prise correctement mise à la terre. Installez uniquement sur un circuit protégé par un disjoncteur différentiel.



**DO NOT** alter the power cord or plug end.



**DO NOT** use receptacle adapters.



**DO NOT** use pump with a damaged or altered power cord or plug. Contact the factory or an authorized service facility for repair.



**⚠ WARNING** **HAZARDOUS VOLTAGE**

**DISCONNECT** power cord before removing motor cover for service. **Electrical service by trained personnel only.**



**⚠ WARNING** **EXPLOSION HAZARD**

This equipment **IS NOT** explosion proof. **DO NOT** install or operate in an explosive environment.



**⚠ WARNING** **RISK OF CHEMICAL EXPOSURE**

Potential for chemical burns, fire, explosion, personal injury, or property damage. To reduce risk of exposure, the use of proper personal protective equipment is mandatory.



**⚠ WARNING** **RISK OF FIRE HAZARD**

**DO NOT** install or operate on any flammable surface.



**⚠ WARNING** **RISK OF CHEMICAL OVERDOSE**

To reduce risk, follow proper installation methods and recommendations. Check your local codes for additional guidelines.



**⚠ WARNING** To reduce the risk of injury, do not permit children to use this product. This appliance is not to be used by persons with reduced physical, sensory or mental capabilities, or lack of experience or knowledge, unless they have been given supervision or instruction.

# SAFETY INFORMATION continued



**CAUTION** Warns about hazards that **WILL** or **CAN** cause minor personal injury or property damage if ignored.



## **CAUTION PLUMBING**

Chemical feed pump installation must always adhere to your local plumbing codes and requirements. Be sure installation does not constitute a cross connection. Check local plumbing codes for guidelines.



**NOTICE: Indicates special instructions or general mandatory action.**



This metering pump is portable and designed to be removable from the plumbing system without damage to the connections.



Before installing or servicing the pump, read the pump manual for all safety information and complete instructions. The pump is designed for installation and service by properly trained personnel.



Installation of product must adhere to all regulatory and compliance codes applicable to the area.



This metering pump and its components have been tested for use with the following chemicals: Sodium Hypochlorite (10-15%), Muriatic Acid (20-22 Baume, 31.5% HCl), and Soda Ash.



Cette pompe de dosage et ses composants ont été testés pour leur compatibilité avec les produits chimiques suivants : hypochlorite de sodium (10 à 15 %), acide chlorhydrique (20 à 22 % Baume, 31,5 % HCl), et carbonate de sodium.



This metering pump is certified by WQA for use with Water and Sodium Hypochlorite 15%.



**This is the safety alert symbol. When displayed in this manual or on the equipment, look for one of the following signal words alerting you to the potential for personal injury or property damage.**



**PUMP SUITABLE FOR USE OUTDOORS** when installed with a Stenner Rain Roof Part No. MP90000.



Electrical installation should adhere to all national and local codes. Consult a licensed professional for assistance with proper electrical installation.



Removing power from pool/spa recirculation pump must also remove power from pump.



The use of an auxiliary safety device (not supplied), such as a flow switch or sensor, is recommended to prevent feed pump operation in the event of a recirculation pump failure or if flow is not sensed.



Point of chemical injection should be beyond all pumps, filters, and heaters.



Suitable for indoor and outdoor use.



Adaptée à une utilisation aussi bien à l'intérieur qu'à l'extérieur.

## SAVE THESE INSTRUCTIONS

# CLASSIC 45 – FLOW RATE OUTPUTS

## Single Head Adjustable – Gallons per Day

Model	Item Number Prefix	Maximum psi / bar	Pump Tube	Feed Rate Control Setting										
				L	1	2	3	4	5	6	7	8	9	10
45MHP2*	45MJH1	100 / 6.9	1	0.2	0.3	0.6	0.9	1.2	1.5	1.8	2.1	2.4	2.7	3.0
45M1	45MJL1	25 / 1.7		0.2	0.3	0.6	0.9	1.2	1.5	1.8	2.1	2.4	2.7	3.0
45MHP10*	45MJH2	100 / 6.9	2	0.5	1.0	2.0	3.0	4.0	5.0	6.0	7.0	8.0	9.0	10.0
45M2	45MJL2	25 / 1.7		0.5	1.0	2.0	3.0	4.0	5.0	6.0	7.0	8.0	9.0	10.0
45MHP22*	45MJH7	100 / 6.9	7	1.1	2.2	4.4	6.6	8.8	11.0	13.2	15.4	17.6	19.8	22.0
45M3	45MJL3	25 / 1.7	3	1.1	2.2	4.4	6.6	8.8	11.0	13.2	15.4	17.6	19.8	22.0
45M4	45MJL4	25 / 1.7	4	1.7	3.5	7.0	10.5	14.0	17.5	21.0	24.5	28.0	31.5	35.0
45M5	45MJL5	25 / 1.7	5	2.5	5.0	10.0	15.0	20.0	25.0	30.0	35.0	40.0	45.0	50.0

Approximate Outputs @ 60Hz

## Single Head Adjustable – Liters per Day

Model	Item Number Prefix	Maximum psi / bar	Pump Tube	Feed Rate Control Setting										
				L	1	2	3	4	5	6	7	8	9	10
45MHP2*	45MJH1	100 / 6.9	1	0.6	0.9	1.8	2.7	3.6	4.5	5.5	6.4	7.3	8.2	9.1
45M1	45MJL1	25 / 1.7		0.6	0.9	1.8	2.7	3.6	4.5	5.5	6.4	7.3	8.2	9.1
45MHP10*	45MJH2	100 / 6.9	2	1.5	3.0	6.1	9.1	12.1	15.1	18.2	21.2	24.2	27.3	30.3
45M2	45MJL2	25 / 1.7		1.5	3.0	6.1	9.1	12.1	15.1	18.2	21.2	24.2	27.3	30.3
45MHP22*	45MJH7	100 / 6.9	7	3.3	6.6	13.3	20.0	26.6	33.3	40.0	46.6	53.3	60.0	66.6
45M3	45MJL3	25 / 1.7	3	3.3	6.6	13.3	20.0	26.6	33.3	40.0	46.6	53.3	60.0	66.6
45M4	45MJL4	25 / 1.7	4	5.1	10.6	21.2	31.8	42.4	53.0	63.6	74.2	84.8	95.4	106.0
45M5	45MJL5	25 / 1.7	5	7.6	15.1	30.3	45.4	60.6	75.7	90.8	106.0	121.1	136.3	151.4

Approximate Outputs @ 50Hz

## Single Head Fixed – Gallons & Liters per Day

Model	Item Number Prefix	Maximum psi / bar	Pump Tube	gpd @ 60Hz	lpd @ 50Hz
45MPHP2*	45MFH1	100 / 6.9	1	3.0	9.1
45MP1	45MFL1	25 / 1.7		3.0	9.1
45MPHP10*	45MFH2	100 / 6.9	2	10.0	30.3
45MP2	45MFL2	25 / 1.7		10.0	30.3
45MPHP22*	45MFH7	100 / 6.9	7	22.0	66.6
45MP3	45MFL3	25 / 1.7	3	22.0	66.6
45MP4	45MLF4	25 / 1.7	4	35.0	106.0
45MP5	45MLF5	25 / 1.7	5	50.0	151.4

Approximate Outputs @ 60 & 50Hz

\* Injection check valve is included with pump rated 100 psi (6.9 bar) maximum.



**NOTICE:** The information within this chart is solely intended for use as a guide. The output data is an approximation based on pumping water under a controlled testing environment. Many variables can affect the output of the pump. Stenner Pump Company recommends that all metering pumps undergo field calibration by means of analytical testing to confirm their outputs.

# CLASSIC 85 – FLOW RATE OUTPUTS

## Single Head Adjustable – Gallons per Day

Model	Item Number Prefix	Maximum psi / bar	Pump Tube	Feed Rate Control Setting										
				L	1	2	3	4	5	6	7	8	9	10
85MHP5*	85MJH1	100 / 6.9	1	0.3	0.5	1.0	1.5	2.0	2.5	3.0	3.5	4.0	4.5	5.0
85M1	85MJL1	25 / 1.7		0.3	0.5	1.0	1.5	2.0	2.5	3.0	3.5	4.0	4.5	5.0
85MHP17*	85MJH2	100 / 6.9	2	0.8	1.7	3.4	5.1	6.8	8.5	10.2	11.9	13.6	15.3	17.0
85M2	85MJL2	25 / 1.7		0.8	1.7	3.4	5.1	6.8	8.5	10.2	11.9	13.6	15.3	17.0
85MHP40*	85MJH7	100 / 6.9	7	2.0	4.0	8.0	12.0	16.0	20.0	24.0	28.0	32.0	36.0	40.0
85M3	85MJL3	25 / 1.7	3	2.0	4.0	8.0	12.0	16.0	20.0	24.0	28.0	32.0	36.0	40.0
85M4	85MJL4	25 / 1.7	4	3.0	6.0	12.0	18.0	24.0	30.0	36.0	42.0	48.0	54.0	60.0
85M5	85MJL5	25 / 1.7	5	4.3	8.5	17.0	25.5	34.0	42.5	51.0	59.5	68.0	76.5	85.0

Approximate Outputs @ 60Hz

## Single Head Adjustable – Liters per Day

Model	Item Number Prefix	Maximum psi / bar	Pump Tube	Feed Rate Control Setting										
				L	1	2	3	4	5	6	7	8	9	10
85MHP5*	85MJH1	100 / 6.9	1	0.9	1.5	3.0	4.5	6.1	7.6	9.1	10.6	12.1	13.6	15.1
85M1	85MJL1	25 / 1.7		0.9	1.5	3.0	4.5	6.1	7.6	9.1	10.6	12.1	13.6	15.1
85MHP17*	85MJH2	100 / 6.9	2	2.4	5.1	10.3	15.4	20.6	25.7	30.9	36.0	41.2	46.3	51.5
85M2	85MJL2	25 / 1.7		2.4	5.1	10.3	15.4	20.6	25.7	30.9	36.0	41.2	46.3	51.5
85MHP40*	85MJH7	100 / 6.9	7	6.1	12.1	24.2	36.3	48.5	60.6	76.7	84.8	96.9	109.0	121.1
85M3	85MJL3	25 / 1.7	3	6.1	12.1	24.2	36.3	48.5	60.6	76.7	84.8	96.9	109.0	121.1
85M4	85MJL4	25 / 1.7	4	9.1	18.2	36.3	54.5	76.7	90.8	109.0	127.2	145.3	163.5	181.7
85M5	85MJL5	25 / 1.7	5	13.0	25.7	51.5	77.2	103.0	128.7	154.4	180.0	205.9	231.6	257.4

Approximate Outputs @ 50Hz

## Single Head Fixed – Gallons & Liters per Day

Model	Item Number Prefix	Maximum psi / bar	Pump Tube	gpd @ 60Hz	lpd @ 50Hz
85MPHP5*	85MFH1	100 / 6.9	1	5.0	15.1
85MP1	85MFL1	25 / 1.7			
85MPHP17*	85MFH2	100 / 6.9	2	17.0	51.5
85MP2	85MFL2	25 / 1.7			
85MPHP40*	85MFH7	100 / 6.9	7	40.0	121.1
85MP3	85MFL3	25 / 1.7	3		
85MP4	85MFL4	25 / 1.7	4	60.0	181.7
85MP5	85MFL5	25 / 1.7	5	85.0	257.4

Approximate Outputs @ 60 & 50Hz

\* Injection check valve is included with pump rated 100 psi (6.9 bar) maximum.

**NOTICE:** The information within this chart is solely intended for use as a guide. The output data is an approximation based on pumping water under a controlled testing environment. Many variables can affect the output of the pump. Stenner Pump Company recommends that all metering pumps undergo field calibration by means of analytical testing to confirm their outputs.

# CLASSIC 100 – FLOW RATE OUTPUTS

## Double Head Adjustable – Gallons per Day

Model	Item Number Prefix	Maximum psi / bar	Pump Tube	Feed Rate Control Setting													
				L	1	2	3	4	5	6	7	8	9	10			
100DMHP5*	100JH1	100 / 6.9	1	0.3	0.6	1.2	1.8	2.4	3.0	3.6	4.2	4.8	5.4	6.0			
100DM1	100JL1	25 / 1.7		100DMHP20*	100JH2	100 / 6.9	2	1.0	2.0	4.0	6.0	8.0	10.0	12.0	14.0	16.0	18.0
100DM2	100JL2	25 / 1.7	100DM3	100JL3	25 / 1.7	3		2.2	4.4	8.8	13.2	17.6	22.0	26.4	30.8	35.2	39.6
100DM4	100JL4	25 / 1.7	100DM5	100JL5	25 / 1.7		4	3.5	7.0	14.0	21.0	28.0	35.0	42.0	49.0	56.0	63.0
				Approximate Outputs @ 60Hz													

## Double Head Adjustable – Liters per Day

Model	Item Number Prefix	Maximum psi / bar	Pump Tube	Feed Rate Control Setting													
				L	1	2	3	4	5	6	7	8	9	10			
100DMHP5*	100JH1	100 / 6.9	1	0.9	1.8	3.6	5.5	7.3	9.1	10.9	12.7	14.5	16.4	18.2			
100DM1	100JL1	25 / 1.7		100DMHP20*	100JH2	100 / 6.9	2	3.0	6.1	12.1	18.2	24.2	30.3	36.4	42.4	48.5	54.5
100DM2	100JL2	25 / 1.7	100DM3	100JL3	25 / 1.7	3		6.7	13.3	26.7	40.0	53.3	66.6	79.9	93.3	106.6	119.9
100DM4	100JL4	25 / 1.7	100DM5	100JL5	25 / 1.7		4	10.6	21.2	42.4	63.6	84.8	106.0	127.2	148.4	169.6	190.8
				Approximate Outputs @ 50Hz													

## Double Head Fixed – Gallons & Liters per Day

Model	Item Number Prefix	Maximum psi / bar	Pump Tube	gpd @ 60Hz	lpd @ 50Hz
100DMPHP5*	100FH1	100 / 6.9	1	6.0	18.2
100DMP1	100FL1	25 / 1.7			
100DMPHP20*	100FH2	100 / 6.9	2	20.0	60.6
100DMP2	100FL2	25 / 1.7			
100DMP3	100FL3	25 / 1.7	3	44.0	133.2
100DMP4	100FL4	25 / 1.7	4	70.0	212.0
100DMP5	100FL5	25 / 1.7	5	100.0	302.8
Approximate Outputs @ 60 & 50Hz					

\* Injection check valve is included with pump rated 100 psi (6.9 bar) maximum.

**NOTICE:** The information within this chart is solely intended for use as a guide. The output data is an approximation based on pumping water under a controlled testing environment. Many variables can affect the output of the pump. Stenner Pump Company recommends that all metering pumps undergo field calibration by means of analytical testing to confirm their outputs.



# CLASSIC 170 – FLOW RATE OUTPUTS

## Double Head Adjustable – Gallons per Day

Model	Item Number Prefix	Maximum psi / bar	Pump Tube	Feed Rate Control Setting													
				L	1	2	3	4	5	6	7	8	9	10			
170DMHP9*	170JH1	100 / 6.9	1	0.5	1.0	2.0	3.0	4.0	5.0	6.0	7.0	8.0	9.0	10.0			
170DM1	170JL1	25 / 1.7		170DMHP34*	170JH2	100 / 6.9	2	1.7	3.4	6.0	9.5	13.6	17.0	20.4	23.8	27.2	30.6
170DM2	170JL2	25 / 1.7	170DM3	170JL3	25 / 1.7	3		4.0	8.0	16.0	24.0	32.0	40.0	48.0	56.0	64.0	72.0
170DM4	170JL4	25 / 1.7	4	6.0	12.0	24.0	36.0	48.0	60.0	72.0	84.0	96.0	108.0	120.0			
170DM5	170JL5	25 / 1.7	5	8.5	17.0	34.0	51.0	68.0	85.0	102.0	119.0	136.0	153.0	170.0			

Approximate Outputs @ 60Hz

## Double Head Adjustable – Liters per Day

Model	Item Number Prefix	Maximum psi / bar	Pump Tube	Feed Rate Control Setting													
				L	1	2	3	4	5	6	7	8	9	10			
170DMHP9*	170JH1	100 / 6.9	1	1.5	3.0	6.1	9.1	12.1	15.1	18.2	21.2	24.2	27.3	30.3			
170DM1	170JL1	25 / 1.7		170DMHP34*	170JH2	100 / 6.9	2	5.1	10.3	18.2	28.8	39.1	51.5	61.8	72.1	82.4	92.7
170DM2	170JL2	25 / 1.7	170DM3	170JL3	25 / 1.7	3		12.1	24.2	48.5	72.7	96.9	121.1	145.4	169.6	193.8	218.0
170DM4	170JL4	25 / 1.7	4	18.2	36.3	72.7	109.0	145.3	181.7	218.0	254.4	290.7	327.0	363.4			
170DM5	170JL5	25 / 1.7	5	25.7	51.5	86.0	154.4	205.9	257.4	308.9	360.4	411.8	463.3	514.8			

Approximate Outputs @ 50Hz

## Double Head Fixed – Gallons & Liters per Day

Model	Item Number Prefix	Maximum psi / bar	Pump Tube	gpd @ 60Hz	lpd @ 50Hz
170DMPHP9*	170FH1	100 / 6.9	1	10.0	30.3
170DMP1	170FL1	25 / 1.7			
170DMPHP34*	170FH2	100 / 6.9	2	34.0	102.6
170DMP2	170FL2	25 / 1.7			
170DMP3	170FL3	25 / 1.7	3	80.0	242.2
170DMP4	170FL4	25 / 1.7	4	120.0	363.4
170DMP5	170FL5	25 / 1.7	5	170.0	514.8

Approximate Outputs @ 60 & 50Hz

\* Injection check valve is included with pump rated 100 psi (6.9 bar) maximum.

**!** **NOTICE:** The information within this chart is solely intended for use as a guide. The output data is an approximation based on pumping water under a controlled testing environment. Many variables can affect the output of the pump. Stenner Pump Company recommends that all metering pumps undergo field calibration by means of analytical testing to confirm their outputs.

# CLASSIC 100 DUAL CONTROL – FLOW RATE OUTPUTS

## DETERMINE FLOW RATE OUTPUTS FOR EACH PUMP HEAD

Use the innermost pump head flow rate outputs to determine the output for each pump head. Both feed rate controls (FRC) on setting 10 = maximum flow rate capacity of the pump.

### Innermost Pump Head

L=5%, 1-10 = approx. 10% of maximum innermost output

### Outermost Pump Head

Outermost Output = (Outermost FRC Setting %) x (Innermost Output)

### Example

100MDC5 with Innermost FRC setting on 4

1. Innermost FRC setting 4 = 20 gpd
2. If outermost FRC is set on 3, then outermost output is 30% of innermost output; 0.3 x 20 gpd = 6 gpd
3. Outermost = 6 gpd, Innermost = 20 gpd, Total Pump Output = 26 gpd

## Innermost Pump Head – Gallons per Day

Model	Item Number Prefix	Maximum psi / bar	Pump Tube	Feed Rate Control Setting										
				L	1	2	3	4	5	6	7	8	9	10
100MDCHP5*	100DH1	100 / 6.9	1	0.2	0.3	0.6	0.9	1.2	1.5	1.8	2.1	2.4	2.7	3.0
100MDC1	100DL1	25 / 1.7		0.5	1.0	2.0	3.0	4.0	5.0	6.0	7.0	8.0	9.0	10.0
100MDCHP20*	100DH2	100 / 6.9	2	1.1	2.2	4.4	6.6	8.8	11.0	13.2	15.4	17.6	19.8	22.0
100MDC2	100DL2	25 / 1.7		1.7	3.5	7.0	10.5	14.0	17.5	21.0	24.5	28.0	31.5	35.0
100MDC3	100DL3	25 / 1.7	3	2.5	5.0	10.0	15.0	20.0	25.0	30.0	35.0	40.0	45.0	50.0
100MDC4	100DL4	25 / 1.7		2.5	5.0	10.0	15.0	20.0	25.0	30.0	35.0	40.0	45.0	50.0
100MDC5	100DL5	25 / 1.7	5	2.5	5.0	10.0	15.0	20.0	25.0	30.0	35.0	40.0	45.0	50.0

Approximate Outputs @ 60Hz

## Innermost Pump Head – Liters per Day

Model	Item Number Prefix	Maximum psi / bar	Pump Tube	Feed Rate Control Setting										
				L	1	2	3	4	5	6	7	8	9	10
100MDCHP5*	100DH1	100 / 6.9	1	0.6	0.9	1.8	2.7	3.6	4.5	5.5	6.4	7.3	8.2	9.1
100MDC1	100DL1	25 / 1.7		1.5	3.0	6.1	9.1	12.1	15.1	18.2	21.2	24.2	27.3	30.3
100MDCHP20*	100DH2	100 / 6.9	2	3.3	6.6	13.3	20.0	26.6	33.3	40.0	46.6	53.3	60.0	66.6
100MDC2	100DL2	25 / 1.7		5.1	10.6	21.2	31.8	42.4	53.0	63.6	74.2	84.8	95.4	106.0
100MDC3	100DL3	25 / 1.7	3	7.6	15.1	30.3	45.4	60.6	75.7	90.8	106.0	121.1	136.3	151.4
100MDC4	100DL4	25 / 1.7		7.6	15.1	30.3	45.4	60.6	75.7	90.8	106.0	121.1	136.3	151.4
100MDC5	100DL5	25 / 1.7	5	7.6	15.1	30.3	45.4	60.6	75.7	90.8	106.0	121.1	136.3	151.4

Approximate Outputs @ 50Hz

\* Injection check valve included with pumps rated 100 psi (6.9 bar) maximum.



**NOTICE:** The information within this chart is solely intended for use as a guide. The output data is an approximation based on pumping water under a controlled testing environment. Many variables can affect the output of the pump. Stenner Pump Company recommends that all metering pumps undergo field calibration by means of analytical testing to confirm their outputs.

# CLASSIC 170 DUAL CONTROL – FLOW RATE OUTPUTS

## Innermost Pump Head – Gallons per Day

Model	Item Number Prefix	Maximum psi / bar	Pump Tube	Feed Rate Control Setting										
				L	1	2	3	4	5	6	7	8	9	10
170MDCHP9*	170DH1	100 / 6.9	1	0.3	0.5	1.0	1.5	2.0	2.5	3.0	3.5	4.0	4.5	5.0
170MDC1	170DL1	25 / 1.7		0.3	0.5	1.0	1.5	2.0	2.5	3.0	3.5	4.0	4.5	5.0
170MDCHP34*	170DH2	100 / 6.9	2	0.8	1.7	3.4	5.1	6.8	8.5	10.2	11.9	13.6	15.3	17.0
170MDC2	170DL2	25 / 1.7		0.8	1.7	3.4	5.1	6.8	8.5	10.2	11.9	13.6	15.3	17.0
170MDC3	170DL3	25 / 1.7	3	2.0	4.0	8.0	12.0	16.0	20.0	24.0	28.0	32.0	36.0	40.0
170MDC4	170DL4	25 / 1.7	4	3.0	6.0	12.0	18.0	24.0	30.0	36.0	42.0	48.0	54.0	60.0
170MDC5	170DL5	25 / 1.7	5	4.3	8.5	17.0	25.5	34.0	42.5	51.0	59.5	68.0	76.5	85.0

Approximate Outputs @ 60Hz

## Innermost Pump Head – Liters per Day

Model	Item Number Prefix	Maximum psi / bar	Pump Tube	Feed Rate Control Setting										
				L	1	2	3	4	5	6	7	8	9	10
170MDCHP9*	170DH1	100 / 6.9	1	0.9	1.5	3.0	4.5	6.1	7.6	9.1	10.6	12.1	13.6	15.1
170MDC1	170DL1	25 / 1.7		0.9	1.5	3.0	4.5	6.1	7.6	9.1	10.6	12.1	13.6	15.1
170MDCHP34*	170DH2	100 / 6.9	2	2.4	5.1	10.3	15.4	20.6	25.7	30.9	36.0	41.2	46.3	51.5
170MDC2	170DL2	25 / 1.7		2.4	5.1	10.3	15.4	20.6	25.7	30.9	36.0	41.2	46.3	51.5
170MDC3	170DL3	25 / 1.7	3	6.1	12.1	24.2	36.3	48.5	60.6	72.7	84.8	96.9	109.0	121.1
170MDC4	170DL4	25 / 1.7	4	9.1	18.2	36.3	54.5	72.7	90.8	109.0	127.2	145.3	163.5	181.7
170MDC5	170DL5	25 / 1.7	5	13.0	25.7	51.5	77.2	103.0	128.7	154.4	180.0	205.9	231.6	257.4

Approximate Outputs @ 50Hz

\* Injection check valve included with pumps rated 100 psi (6.9 bar) maximum.

**NOTICE:** The information within this chart is solely intended for use as a guide. The output data is an approximation based on pumping water under a controlled testing environment. Many variables can affect the output of the pump. Stenner Pump Company recommends that all metering pumps undergo field calibration by means of analytical testing to confirm their outputs.

# MATERIALS OF CONSTRUCTION

## All Housings

Polycarbonate

## Pump Tube

Santoprene®, FDA approved or Versilon®

## Check Valve Duckbill

Santoprene®, FDA approved or Pellethane®

## Suction/Discharge Tubing & Ferrules

Polyethylene, FDA approved

## Suction Line Strainer and Cap

PVC or Polypropylene, NSF listed, with Ceramic Weight

## All Fasteners

Stainless Steel

## Tube and Injection Fittings

PVC or Polypropylene, NSF listed

## Connecting Nuts 1/4", 3/8" and 3/8" Adapter

PVC or Polypropylene, NSF listed

## Pump Head Latches

Polypropylene

# ACCESSORIES

- 3 Connecting Nuts 1/4" or 3/8"
- 3 Ferrules 1/4" or 6 mm *Europe*
- 1 Injection Fitting 25 psi (1.7 bar) max. or 1 injection check valve 100 psi (6.9 bar) max.
- 1 Weighted Suction Line Strainer 1/4", 3/8" or 6 mm *Europe*
- 1 20' Roll of Suction/Discharge Tubing  
1/4" or 3/8" White or UV Black or 6 mm White *Europe*
- 1 Additional Pump Tube
- 2 Additional Latches
- 1 Mounting Bracket
- 1 Manual

\* Double head pumps include an additional set of the accessories listed above.

# INSTALLATION

## ADDITIONAL SAFETY INSTRUCTIONS

**!** **NOTICE:** Indicates special instructions or general mandatory action.

- !** Read all safety hazards before installing or servicing the pump. The pump is designed for installation and service by properly trained personnel.
- !** Use all required personal protective equipment when working on or near a chemical metering pump.
- !** Install the pump so that it is in compliance with all national and local plumbing and electrical codes.
- !** Use the proper product to treat potable water systems, use only chemicals listed or approved for use.
- !** Install the pump to work in conjunction with pool, spa, well pump, or system controls.
- !** Inspect tube frequently for leakage, deterioration, or wear. Schedule a regular pump tube maintenance change to prevent chemical damage to pump and/or spillage.
- !** Mount pump vertically and use spill recovery to run chemical back to tank in the event of tube failure.
- !** Pump is not recommended for installation in areas where leakage can cause personal injury or property damage.

# INSTALLATION continued

## MOUNT PUMP

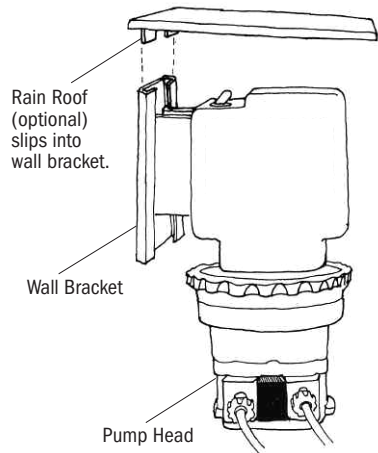
- ❗ **Select a dry location (to avoid water intrusion and pump damage) above the solution tank. Best recommended location is above the solution tank in a vertical position with the pump head pointed downward and the spill recovery (see page 18) in place to reduce the risk and severity of damage.**
- ❗ **To prevent pump damage in the event of a pump tube leak, never mount the pump vertically with the pump head up.**
- ❗ **To avoid chemical damage from fumes, DO NOT mount pump directly over an open solution tank. Keep tank covered.**
- ❗ **Avoid flooded suction or pump mounted lower than the solution container. Draw solution from the top of the tank. Pump can run dry without damage. If pump is installed with a flooded suction, a shut-off valve or other device must be provided to stop flow to pump during service.**

1. Use the mounting bracket as a template to drill pilot holes in mounting location.
2. Secure bracket with fasteners or wall anchors. Slide pump into bracket.

- ❗ **Provide 8" clearance to allow pump orientation to be reversed during tube replacement. DO NOT allow water intrusion into the motor or corrosion and damage will occur.**

- ❗ **To prevent motor damage, verify with a volt meter that the receptacle voltage corresponds with the pump voltage.**

3. Plug cord into receptacle and turn the motor power switch on. If the pump is adjustable, turn the dial ring to 10.
4. Activate the pump by the pump control (flow switch, pressure switch, etc.) and verify rotation of the roller assembly within the clear pump head. Turn pump switch off.



# INSTALLATION continued

## ADDITIONAL INSTRUCTIONS FOR CE PUMPS WHEN APPLICABLE

### ADDITIONAL INSTALLATION INSTRUCTIONS

1. All Class II Pumps located in Zone 1 of swimming pool areas require locating where flooding cannot occur.
  2. This pump is intended to be installed as “fixed” as opposed to portable.
  3. The Rain Roof must be installed and “vertical orientation” mounting of entire unit observed.
  4. After installation, the power supply plug must be accessible during use.
  5. This unit must be scrapped if the supply cord is damaged.
  6. Observe and comply with all National Wiring Standards.
- 

### ZUSTAŽLICHE INSTALLIERUNGSANWEISUNGUN

1. Pumpen die sich in Zone 1 vom Schwimmbecken befinden sollen sind so einzurichten daß Ueberschwemmungen nicht vorkommen werden.
  2. Diese Pumpe ist als fest montierte Ausrüstung bedacht und soll nicht umstellbar gebraucht werden.
  3. Der Regendach muss installiert werden. Eine vertikale Asrichtung der Montage muß erzielt werden.
  4. Die Stromversorgung muss nach der Installation noch zugänglich sein.
  5. Bei beschadigter Verkabelung ist dieses Gerat nicht mehr zu gebrauchen.
  6. Staatliche Vernetzungsvorchriften müssen eingehalten werden.
- 

### INSTRUCTIONS SUPPLÉMENTAIRES D'INSTALLATION

1. Toutes les pompes installées dans la Zone 1 du périmètre de la piscine doivent être situées de manière à ne pas pouvoir être inondées.
  2. Cette pompe est prévue pour installation fixe et non pas portative.
  3. L'abri anti-pluie doit être installé et l'orientation verticale doit toujours être observée.
  4. Après l'installation, la prise électrique doit rester accessible pendant l'utilisation.
  5. Cette unité doit être mise au rebut si le cordon électrique est endommagé.
  6. Observez et adhérez à toutes les Normes Nationales pour Installations Electriques.
- 

### INSTRUCCIONES ADICIONALES PARA INSTALACION

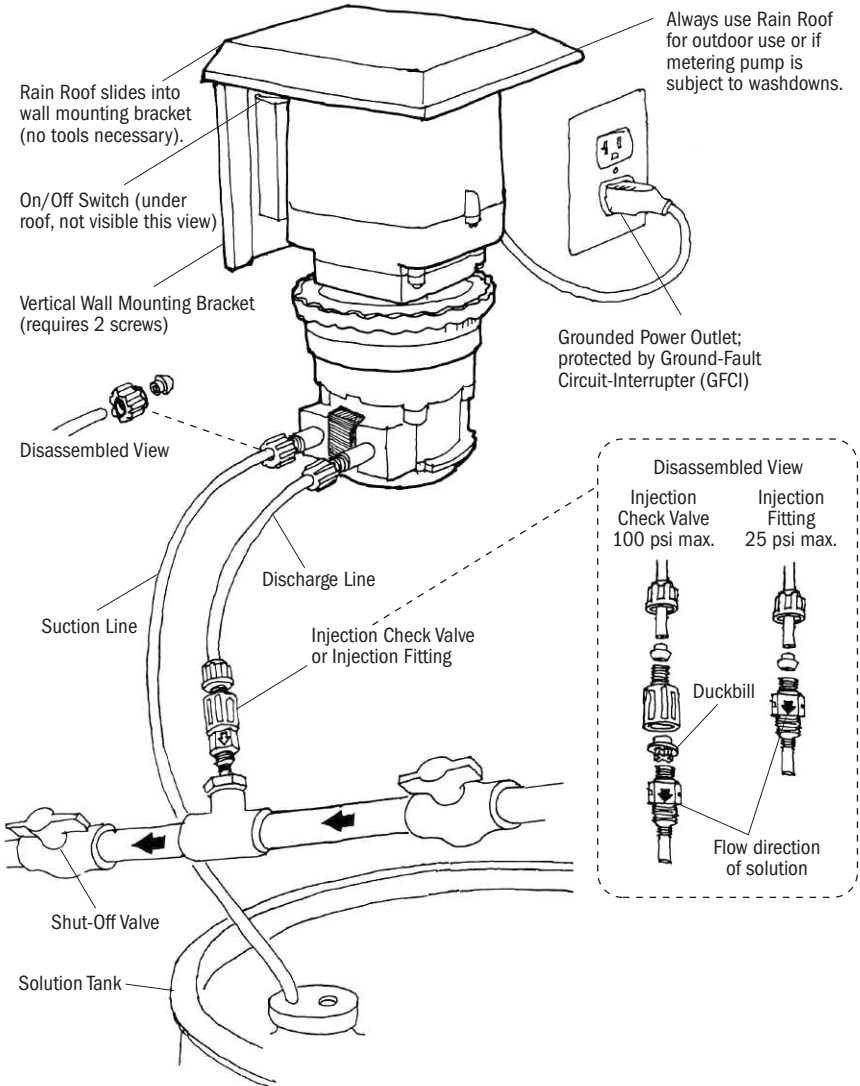
1. Todas las bombas Clase II situadas en la Zona 1 de las áreas de la piscina requieren colocarse donde no puedan ser inundadas.
  2. Esta bomba es para ser instalada “fija” en vez de portátil.
  3. Es necesario instalar el techo de lluvia, y montar la unidad entera siguiendo una orientación vertical.
  4. Después de la instalación el enchufe suministrador de energía debe estar accesible durante el uso.
  5. Se deberá deshechar la unidad si el cordón de abastecimiento se deteriora.
  6. Observe y cumpla con todas las Reglas Nacionales para Instalaciones Eléctricas.
- 

### ISTRUZIONI SUPPLEMENTARI PER L' INSTALLAZIONE

1. Tutte le pompe Classe II localizzate nella Zona 1 della superficie circostante la piscina devono essere collocate dove gli allagamenti no possono accadere.
2. Questa pompa, é inteso, deve essere installata come ‘fissa’ e non come portatile.
3. La tettoia deve essere installata e il montaggio ‘orientazione verticale’ dell’intera unità deve essere osservato.
4. Dopo l’installazione, la spina deve essere accessibile durante l’uso.
5. Questa unità deve essere gettata via se il filo elettrico é danneggiato.
6. Osservare e aderire a tutte le Norme Nazionali Sugli Impianti Elettrici.



# INSTALLATION DIAGRAM

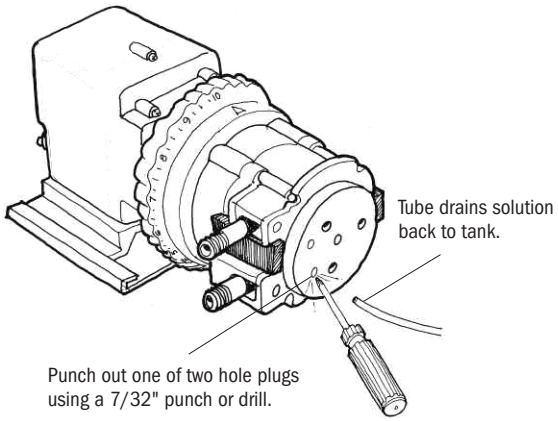


# INSTALLATION continued

## SPILL RECOVERY

Mount the pump vertically and use the spill recovery to drain chemical back to the tank in the event of tube failure. This will help prevent chemical from collecting in the tube housing and reduces spillage on the floor.

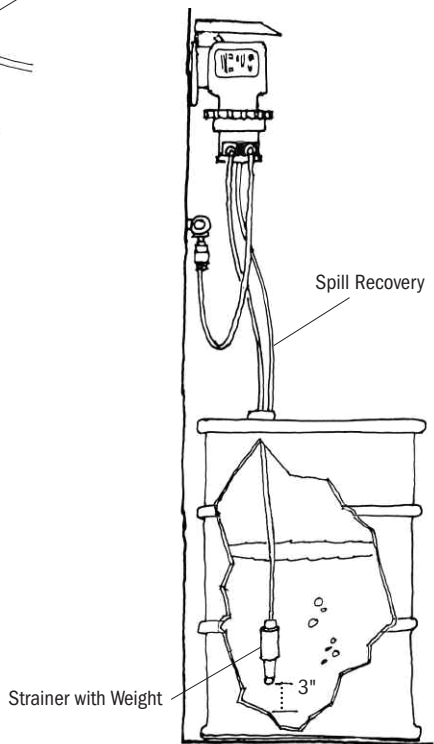
The pump motor is ventilated and water intrusion can cause motor damage. A rain roof is recommended for outdoor and wet environments.



Punch out one of two hole plugs using a 7/32" punch or drill.

Use section of 1/4" suction/discharge tubing and insert in hole.

Tube drains solution back to tank.



Spill Recovery

Strainer with Weight

3"

# INSTALLATION continued

## INSTALL SUCTION LINE TO PUMP HEAD

1. Uncoil the suction/discharge tubing. Use outside of solution tank as a guide to cut proper length of suction line ensuring it will be 2-3" above the bottom of solution tank.



**Allow sufficient slack to avoid kinks and stress cracks. Always make a clean square cut to assure that the suction line is burr free. Normal maintenance requires trimming.**



**Suction lines that extend to the bottom of the tank can result in debris pickup leading to clogged injectors and possible tube failure.**

2. Make connections by sliding the line(s) through connecting nut\* and ferrule and finger tighten to the corresponding tube fittings.
3. Finger tighten nut to the threaded tube fitting while holding the tube fitting.

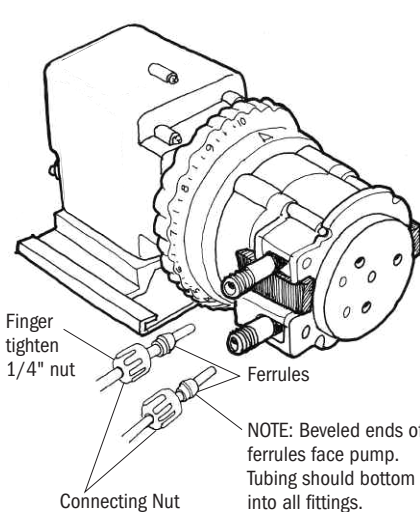


**Over tightening the ferrule and nut with a wrench may result in damaged fittings, crushed ferrules, and air pick up.**

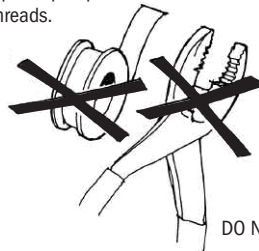


**DO NOT use thread seal tape on pump tube connections or tools to tighten connections.**

*More on next page*



DO NOT use thread seal tape on pump tube threads.



DO NOT use pliers.

\* For 3/8" connections only. While stabilizing the tube fitting, attach female end of adapter to the tube fitting(s) (ferrule inside). Slide line through 3/8" connecting nut and finger tighten to male end of adapter. If leak occurs, gradually tighten the 3/8" connecting nut as required.

# INSTALLATION continued

## INSTALL SUCTION WEIGHT TO SUCTION LINE

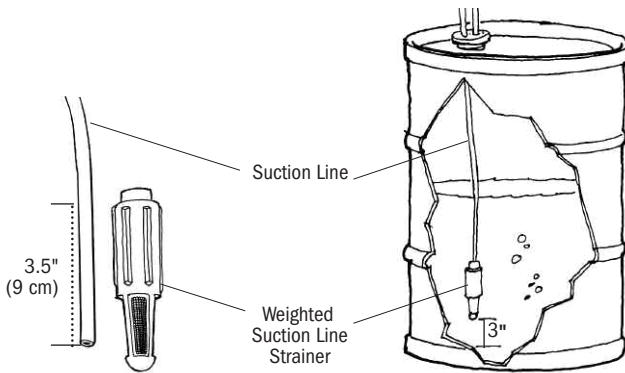
1. Drill a hole into the bung cap or solution tank lid. Slide the tubing through and secure the weighted strainer to the line.
2. To attach the strainer, push approximately 3.5" of suction line through the cap on the strainer body. Pull tubing to make sure it is secure.
3. Suspend slightly above tank bottom to reduce the chance of sediment pickup.



**DO NOT mix chemicals in the solution container. Follow recommended mixing procedures according to the manufacturer.**



**DO NOT operate pump unless chemical is completely in solution. Turn pump off when replenishing solution.**



# INSTALLATION continued

## INSTALL DISCHARGE LINE TO PUMP HEAD AND INJECTION POINT

1. Make a secure finger tight connection on the discharge fitting of the pump head as instructed in Install Suction Line instructions.



**DO NOT use thread seal tape on pump tube connections or tools to tighten connections.**



**WARNING HAZARDOUS PRESSURE: Shut off water or circulation system and bleed off any system pressure.**

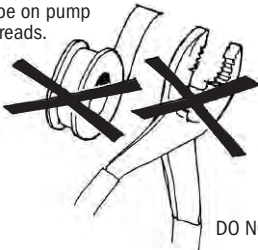


**Locate a point of injection beyond all pumps and filters or as determined by the application.**

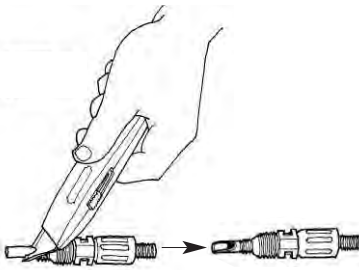
2. A 1/4" or 1/2" Female NPT (FNPT) connection is required for installing the injection fitting. If there is no FNPT fitting available, provide one by either tapping the pipe or installing FNPT pipe tee fitting.
3. Wrap the Male NPT (MNPT) end of injection fitting with 2 or 3 turns of thread seal tape. If necessary, trim the injection fitting quill as required to inject product directly into flow of water.

*More on next page*

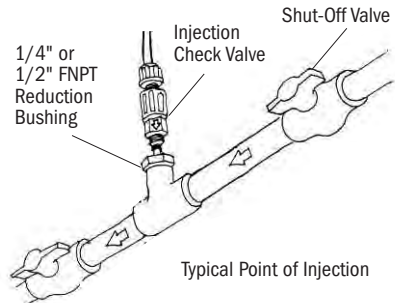
DO NOT use thread seal tape on pump tube threads.



DO NOT use pliers.



Trim Injection Fitting



Typical Point of Injection

# INSTALLATION continued

- Hand tighten the injection fitting into the FNPT fitting.

## **Pump 25 psi max.**

- Install connecting nut and ferrule to the pump discharge line. Insert discharge line into injection fitting until it reaches base of fitting. For 3/8" connections, insert discharge line until it reaches base of injection fitting (25 psi) or check valve body (100 psi). If leak occurs, gradually tighten the 3/8" connecting nut as required.
- Finger tighten connecting nut to fitting.

## **Pump 100 psi max.**

- Prior to connection, test injection check valve and NPT threads for leaks by pressurizing system. If necessary, tighten an additional 1/4 turn. For 3/8" connections, insert discharge line until it reaches base of injection fitting (25 psi) or check valve body (100 psi). If leak occurs, gradually tighten the 3/8" connecting nut as required.
- Install connecting nut and ferrule to the pump discharge line. Insert discharge line into check valve body until it reaches base of body.
- Finger tighten connecting nut to fitting.

- Turn pump on and re-pressurize system. Observe chemical flow as actuated by system and check all connections for leaks.
- After suitable amount of dosing time, perform tests for desired chemical readings (e.g., pH or ppm). If necessary, fine tune dosing levels by rotating dial ring (adjustable pumps only) or by adjusting solution strength.



**The injection point and fitting require periodic maintenance to clean any deposits or buildup. To allow quick access to the point of injection, Stenner recommends the installation of shut-off valves.**

# TROUBLESHOOTING – MOTOR

 **WARNING** HAZARDOUS VOLTAGE

**DISCONNECT** power cord before removing motor cover for service. **Electrical service should be performed by trained personnel only.**

PROBLEM	POSSIBLE CAUSE	SOLUTION
Loud or excessive noise	Worn ball bearings Insufficient lubrication Worn gears or gear posts	Replace rotor assembly Apply AquaShield™ to gears and gear posts Inspect and/or replace gears and gear posts
Motor does not work; fan does not turn	Faulty electrical supply Rotor bound to coil Damaged motor coil Worn or damaged rotor bearings Damaged power cord Rotor rusted to coil Faulty wire connections Obstructed fan	Check supply voltage circuit Replace bearing brackets if cracked Replace motor coil Replace rotor assembly Inspect and/or replace power cord Clean off coil and rotor or replace Inspect and/or repair electrical connections Remove obstruction
Motor runs; fan turns, output shaft does not	Worn or damaged gears	Replace gears as needed
Motor overheats and shuts off and on	Incorrect voltage High ambient temperature Damaged/malfunctioning coil	Check voltage and frequency matches data label Pumps are rated at 125 °F maximum Replace motor coil
Phenolic gear is stripping	Water intrusion Cracked bearing bracket Worn gear posts Rusted helical gear at end of rotor  Worn gear case cover Insufficient lubrication	Use rain roof & replace phenolic gear Replace bearing bracket & phenolic gear Replace gear posts & phenolic gear Buff off rotor or replace rotor, replace phenolic gear Replace gear case Lubricate with AquaShield™

# TROUBLESHOOTING – FEED RATE CONTROL

PROBLEM	POSSIBLE CAUSE	SOLUTION
Dial ring will not turn	Seized variable cam  Seized dial ring	Apply AquaShield™ to variable cam & cam slot in feed rate control housing  Clean then lubricate dial ring with AquaShield™
Dial ring turns, output doesn't change	Variable cam disengaged from dial ring Broken variable cam	Re-insert 90 ° end into ring  Replace variable cam
Pump head does not rotate	Worn index plate Motor problem Pump head roller assembly stripped Index pin holder loose Index pin broken	Turn over or replace index plate Refer to Motor section Replace roller assembly Tighten holder into spider assembly Replace index pin and lifter assembly
Pump head rotates continuously	Variable cam	Replace or re-insert variable cam
Erratic indexing	Index plate worn Variable cam worn Lifter worn	Turn over or replace index plate Replace variable cam Replace index pin & lifter assembly



# TROUBLESHOOTING – PUMP HEAD

<b>PROBLEM</b>	<b>POSSIBLE CAUSE</b>	<b>SOLUTION</b>
Components cracking	Chemical attack	Check chemical compatibility
Pump head leaking	Pump tube rupture	Replace pump tube, ferrules; center tube
No pump output, pump head rotates	Depleted solution tank Pump suction line weight is above solution Leak in the suction line Ferrules installed incorrectly, missing or damaged Injection point is clogged Clogged suction and/or discharge line and/or injection check valve Life of pump tube exhausted Suction line is flush with the nose of the weighted strainer	Replenish solution Position suction line 3" above bottom of tank Inspect or replace suction line Replace ferrules Inspect and clean injection point Clean and/or replace as needed Replace pump tube, ferrules; center tube Pull suction line approximately 1" from bottom of strainer, cut bottom of suction tubing at an angle
Low pump output, pump head rotates	Life of pump tube exhausted Rollers worn or broken Injection point is restricted Incorrect tube size High system back pressure	Replace pump tube, ferrules; center tube Replace roller assembly Inspect and clean injection point Replace tube with correct size Verify system pressure against tube psi, replace tube if needed
No pump output, pump head doesn't rotate	Stripped roller assembly Feed rate control problem Motor problem	Replace roller assembly Refer to feed rate control section Refer to motor section
Pump output high	Incorrect tube size or setting Roller assembly broken Malfunctioning feed rate control Incorrect motor rpm	Replace tube with correct size or adjust settings. Replace roller assembly Refer to feed rate control section Replace with motor that matches pump model

# TROUBLESHOOTING – PUMP TUBE



**NOTICE:** A leaking pump tube damages the metering pump. Inspect pump frequently for leakage and wear. Refer to Tube Replacement section for additional safety precautions and instructions.

PROBLEM	POSSIBLE CAUSE	SOLUTION
Tube leaking	Pump tube ruptured	Replace pump tube, ferrules; center tube
	Calcium or mineral deposits	Clean injection fitting, replace pump tube, ferrules; center tube
	Excessive back pressure	Verify system pressure against tube psi, replace tube if needed
	Tube is twisted	Replace pump tube, ferrules; center tube
	Tube not centered	Replace pump tube, ferrules; center tube
Tube life is shortened	Chemical attack	Check chemical compatibility
	Mineral deposits at injection point	Remove deposits, replace pump tube, ferrules; center tube
	Sediment blockage at check valve	Clean injection fitting, ensure suction line is 3" above tank bottom. Use suction line strainer.
	Degraded check valve duckbill	Replace duckbill at every tube change
	Duckbill in wrong orientation	Reverse duckbill orientation
	Seized rollers caused abrasion on tube	Clean roller assembly or replace
	Exposure to heat or sun	DO NOT store tubes in high temperatures or in direct sunlight
Tube connection is leaking	Missing ferrule on 1/4" or 6 mm line	Replace ferrule
	Crushed ferrule	Replace ferrule
	Ferrule in wrong orientation	Reverse orientation of ferrule
	3/8" nut loose	Secure adapter and tighten 3/8" nut as needed
	Missing ferrule in 3/8" adapter	Replace with new adapter fitting or insert new ferrule into adapter

# TUBE REPLACEMENT – SAFETY INFORMATION



## **WARNING** RISK OF CHEMICAL EXPOSURE



To reduce risk of exposure, check the pump tube regularly for leakage. At the first sign of leakage, replace the pump tube.



To reduce risk of exposure, the use of proper personal protective equipment is mandatory when working on or near chemical metering pumps.



To reduce risk of exposure, and also prior to service, shipping, or storage, pump generous amounts of water or a compatible buffer solution to remove chemical from pump.



Consult chemical manufacturer and MSDS sheet for additional information and precautions for the chemical in use.



Personnel should be skilled and trained in the proper safety and handling of the chemicals in use.



Inspect tube frequently for leakage, deterioration, or wear. Schedule a regular pump tube maintenance change to prevent chemical damage to pump and/or spillage.



## **CAUTION** PINCH POINT HAZARD



Use extreme caution when replacing pump tube. Be careful of your fingers and DO NOT place fingers near rollers.



## **WARNING** HAZARDOUS PRESSURE/CHEMICAL EXPOSURE



Use caution and bleed off all resident system pressure prior to attempting service or installation.



Use caution when disconnecting discharge line from pump. Discharge may be under pressure. Discharge line may contain chemical.



## **NOTICE: Indicates special instructions or general mandatory action.**



**DO NOT** apply grease, oil, or lubricants to the pump tube or housing.



Prior to pump tube replacement, inspect the entire pump head for cracks or damaged components. Ensure rollers turn freely.



Rinse off chemical residue and clean all chemical and debris from pump head components prior to tube replacement. Apply Aquashield™ to main shaft and tube housing cover bushing during tube replacement.



**DO NOT** pull excessively on pump tube. Avoid kinks or damage during tube installation.

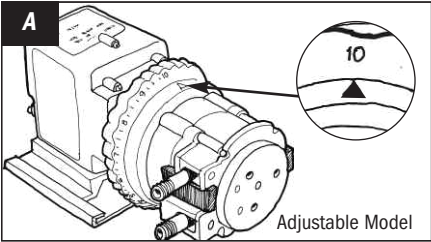


Inspect the suction and discharge lines, injection point (into pipe), and injection check valve duckbill for blockages after any tube rupture. Clear or replace as required.

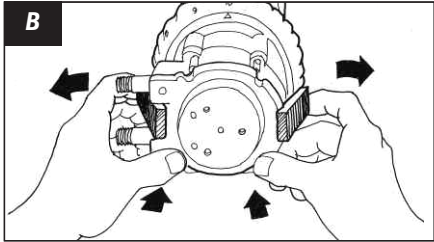
# TUBE REMOVAL

## Illustrated Basic Steps

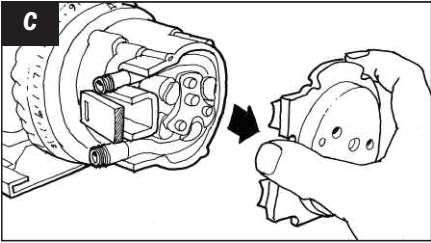
**NOTICE:** Refer to written instructions for complete steps.



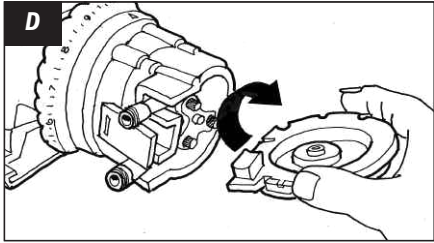
**Adjustable model must be on setting 10**



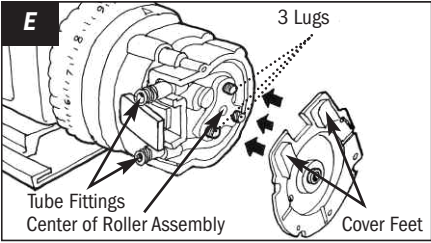
**Open latches**



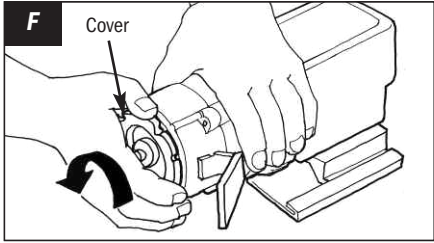
**Remove cover**



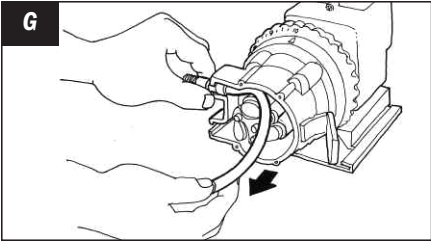
**Invert cover**



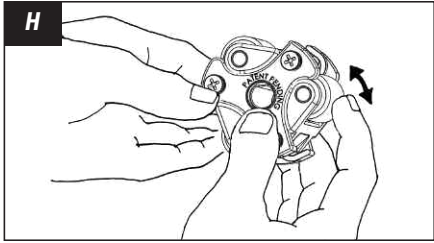
**Align cover feet near tube fittings**



**Collapse roller assembly**



**Remove tube**

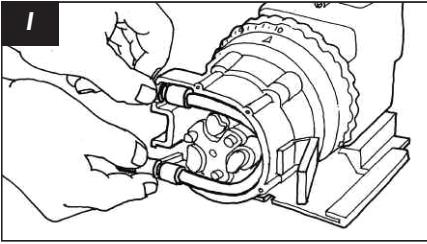


**Check rollers**

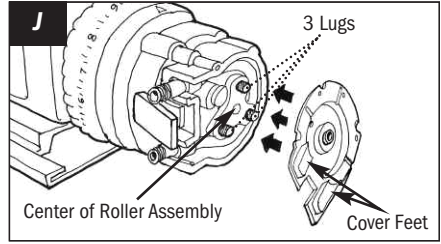
# TUBE INSTALLATION & CENTERING

## Illustrated Basic Steps

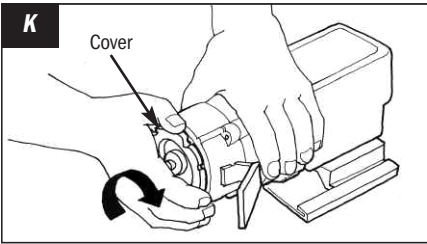
**NOTICE:** Refer to written instructions for complete steps.



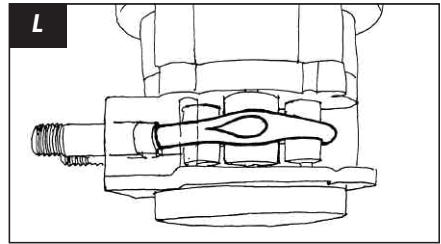
**I** Place new tube



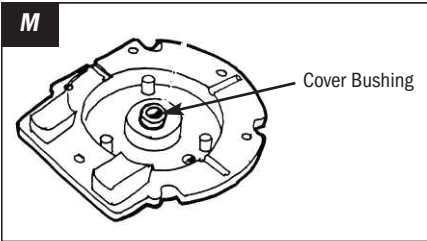
**J** Align cover feet near the bottom



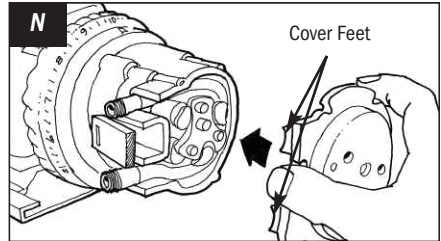
**K** Expand roller assembly



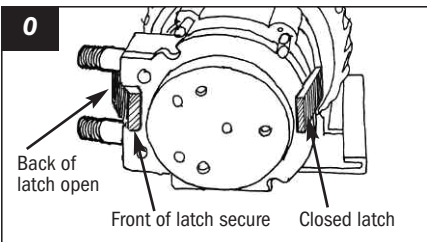
**L** Confirm roller assembly is expanded



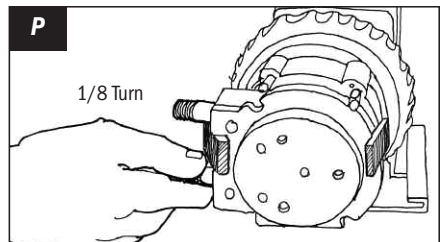
**M** Apply Aquashield™ to cover bushing



**N** Install cover feet first



**O** Prepare to center tube



**P** Center tube

# TUBE REPLACEMENT – SINGLE HEAD

## Adjustable & Fixed Output Pumps

### PREPARATION

---

1. Follow all safety precautions prior to tube replacement.
2. Prior to service, pump water or a compatible buffer solution through the pump and suction and discharge lines to remove chemical and avoid contact.

### REMOVE THE PUMP TUBE

---

1. Turn the pump off and unplug the power cord. On the adjustable model, ensure that the feed rate control is set to 10. *Illustration A p28*
2. Depressurize and disconnect the suction and discharge lines.
3. Open the back and front of the latches on both sides of the head. Carefully fold latches back to prevent contact with the cover. *Illustration B p28*  
*For CE pump only: Remove the safety screw on cover.*
4. Remove the tube housing cover and flip to use as a tool in the next step. *Illustration C & D p28*
5. Align the center of the inverted cover with the center of the roller assembly so that the three holes on the face of the cover align with the three knurled lugs on the roller assembly. Position the cover feet near the tube fittings. *Illustration E p28*  
NOTE: The roller assembly needs to be collapsed to remove the tube.
6. On the adjustable pump, hold the feed rate control securely. On the fixed output pump hold the motor securely. Use the tube housing cover as a wrench and quickly (snap) rotate the cover counter-clockwise to collapse the roller assembly. The tube will no longer be pressed against the tube housing wall. *Illustration F p28*
7. Remove and discard the pump tube. *Illustration G p28*
8. Remove the roller assembly, and the tube housing. On the adjustable pump also remove the shaft. Set them aside to reinstall later.
9. Use a non-citrus all-purpose cleaner to clean chemical residue from the tube housing, roller assembly and cover.
10. Check the housing, cover and roller assembly for cracks and replace if cracked.
11. Ensure the rollers turn freely. Replace the roller assembly if the rollers are seized or worn or if there is a reduction or lack of output from the pump. *Illustration H p28*
12. Reinstall the clean tube housing. On an adjustable pump, also install the shaft into the feed rate control.
13. Apply AquaShield™ to the shaft tip.
14. Install the roller assembly.

# TUBE REPLACEMENT – SINGLE HEAD Adjustable & Fixed Output Pumps

## INSTALL THE PUMP TUBE AND EXPAND THE ROLLER ASSEMBLY

---

### **IMPORTANT! DO NOT LUBRICATE PUMP TUBE OR ROLLER ASSEMBLY.**

1. Ensure the power to the pump is off and the power cord is unplugged. On the adjustable model, ensure that the feed rate control is set to 10. *Illustration A p28*
2. Place the new tube in the pump head; use your fingers to center it over the rollers. *Illustration I p29*
3. Place the tube housing cover on the tube housing, affix the front latches to the cover lip and then press the latches back to secure. Be sure the cover is seated with the sleeve bearing on the shaft and is flush with housing, before latching.
4. With the cover latched, plug the pump in and turn the power on. Allow the pump to run the roller assembly in its collapsed position for approximately two minutes to relax the tube.
5. Turn the pump off and unplug the power cord.
6. Remove the tube housing cover and flip to use as a tool in the next step. *Illustration C & D p28*
7. Align the center of the inverted cover with the center of the roller assembly so that the three holes on the face of the cover align with the three knurled lugs on the roller assembly. Position the cover feet near the bottom. *Illustration J p29*  
NOTE: The roller assembly needs to be expanded so the tube is pressed against the tube housing wall.

*More on next page*

# TUBE REPLACEMENT – SINGLE HEAD

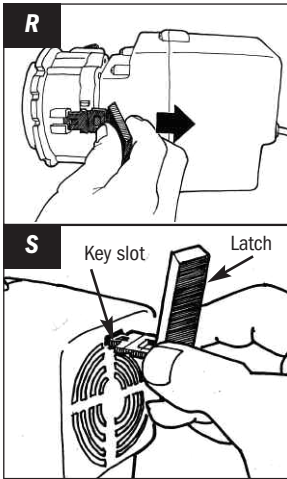
## Adjustable & Fixed Output Pumps

### 8. Expand roller assembly.

#### Adjustable Model

- Hold the feed rate control securely, use the cover as a wrench and quickly (snap) rotate the roller assembly clockwise to expand the roller assembly. The tube will be pressed against the tube housing wall. *Illustration K & L p29* Proceed to step **9**.

#### Fixed Output Model (motor vent with key slot, manufactured after 04/29/11)



- a. Slide one latch out to remove it from the tube housing. Insert the latch end into the key slot in the vent in the rear of the motor housing. While pressing the latch into the rear of the motor, gently rotate the cover clockwise until it stops. *Illustration R & S*
  - b. Holding the motor securely, use the cover as a wrench and quickly (snap) rotate the roller assembly clockwise to expand the roller assembly. The tube will be pressed against the tube housing wall. *Illustration K & L p29*
  - c. Remove the latch from the vent and re-attach it to the tube housing. Proceed to step **9**.
- 9.** Apply a small amount of AquaShield™ to the cover bushing ONLY. DO NOT lubricate the pump tube. *Illustration M p29*

- 10.** Place the tube housing cover (feet first) on the tube housing, affix the front of the latches to the cover lip and then press the latches back to secure. Be sure the cover is seated with the sleeve bearing on the shaft and is flush with the housing, before latching. *Illustration N p29*



# TUBE REPLACEMENT – SINGLE HEAD Adjustable & Fixed Output Pumps

## CENTER THE TUBE

---

1. Ensure the pump is off. Lift the latch located between the tube fittings, leaving the end of the latch engaged with the lip on the tube housing cover. Leave the latch on the opposite side engaged. *Illustration O p29*
2. Plug the pump in and turn it on. Turn the tube fitting on the suction side not more than 1/8 of a turn in the direction the tube must move. *Illustration P p29*
3. DO NOT let go of the fitting until the tube rides approximately in center of the rollers.
4. Turn the pump off, let go of the fitting, and secure the latch between the fittings. *For CE pump only: Reinstall the safety screw on the cover.*
5. Inspect the suction and discharge lines, point of injection, and check valve duckbill for blockages. Clean all deposits and/or replace parts as required. Failure to do so may lead to poor pump performance, including shortened tube life.
6. Reconnect the suction and discharge lines. DO NOT allow the tube fittings to turn inside the pump housing.
7. Turn the pump on and run for two minutes to verify operation.

# CLEANING THE POINT OF INJECTION – SAFETY INFORMATION

**NOTICE:** Indicates special instructions or general mandatory action.

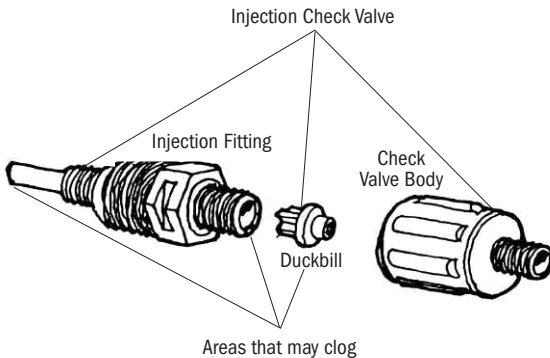
Pumps rated 25 psi maximum are installed with an injection fitting and pumps rated 100 psi maximum are installed with an injection check valve. Both allow the extension tip to be installed in the center of the pipe directly in the flow of water to help reduce deposit accumulation.

**WARNING** Warns about hazards that CAN cause death, serious personal injury, or property damage if ignored.

This is the safety alert symbol. When displayed in this manual or on the equipment, look for one of the following signal words alerting you to the potential for personal injury or property damage.

**WARNING** HAZARDOUS PRESSURE/CHEMICAL EXPOSURE

- Use caution and bleed off all resident system pressure prior to attempting service or installation.
- Use caution when disconnecting discharge line from pump. Discharge line may be under pressure. Discharge line may contain chemical.
- To reduce risk of exposure, the use of proper personal protective equipment is mandatory when working on or near chemical metering pumps.



# CLEANING THE POINT OF INJECTION continued

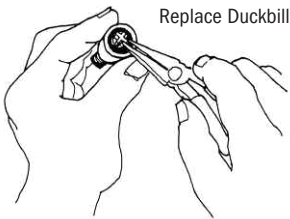
1. Turn metering pump off and unplug cord. Disable water pump or auxiliary equipment electrical supply.
2. Depressurize system and bleed pressure from pump discharge line.
3. Loosen and remove connecting nut and ferrule from the injection check valve or injection fitting to disconnect discharge tubing.

**Pump 100 psi max., go to 4.**

**Pump 25 psi max., skip 4 and go to 5.**

4.
  - Unscrew the top fitting (check valve body) to disassemble. The bottom fitting (injection fitting with arrow) should remain attached to the pipe.
  - Remove duckbill from check valve body and replace it.
  - Examine o-ring in the injection fitting and replace if deteriorated or damaged.
5. Insert a #2 Phillips head screwdriver through injection fitting into the pipe to locate or break up accumulated deposits. If screwdriver cannot be inserted, drill the deposit out of the injection fitting (DO NOT drill through the opposite pipe wall).

*More on next page*



Clean out accumulated deposits with a #2 Phillips head screwdriver.

Periodic inspection and cleaning of the point of injection will maintain proper pump operation and provide maximum tube life.

# CLEANING THE POINT OF INJECTION continued

6. Replace discharge line if cracked or deteriorated. If the end is clogged, cut off the calcified or blocked section of discharge line.

7. **Pump 100 psi max.**

a. Reassemble the injection check valve.

b. Replace ferrule and reinstall the discharge line to the injection check valve approximately 3/4" until it stops.

**Pump 25 psi max.**

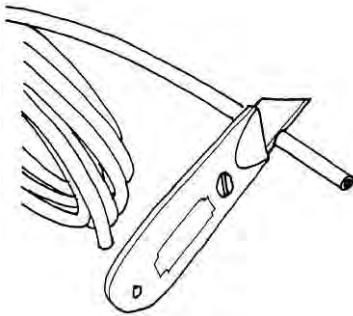
Replace ferrule and reinstall the discharge line to the injection fitting approximately 3/4" until it stops.

8. Tighten the connecting nut finger tight.

9. Enable the water pump electrical supply and pressurize the water system.

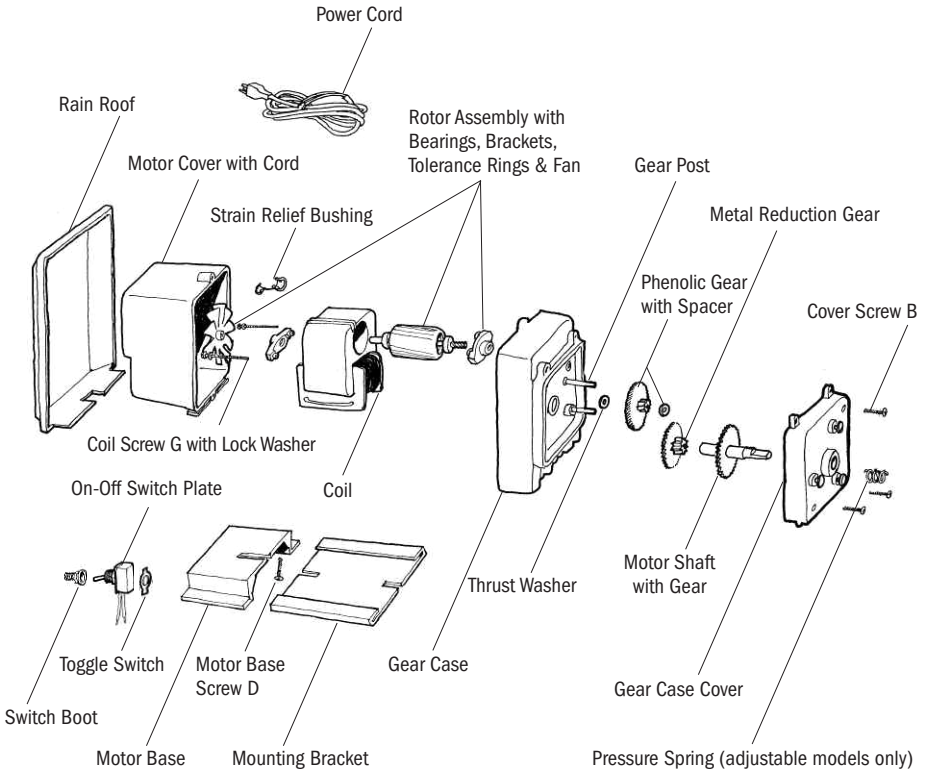
NOTE: The roller assembly needs to be expanded so the tube is pressed against the tube housing wall.

10. Put the metering pump back in service and inspect all connections for leaks.



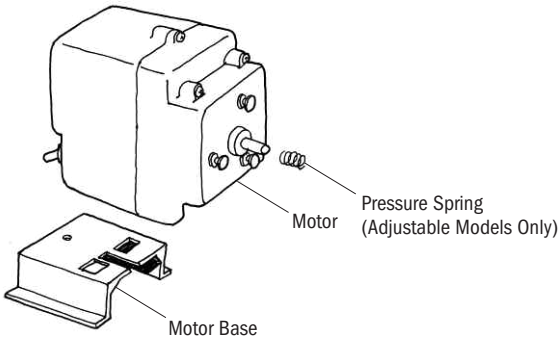
Cut off the calcified or blocked section.

# MOTOR EXPLODED VIEW



Contact factory for part numbers.

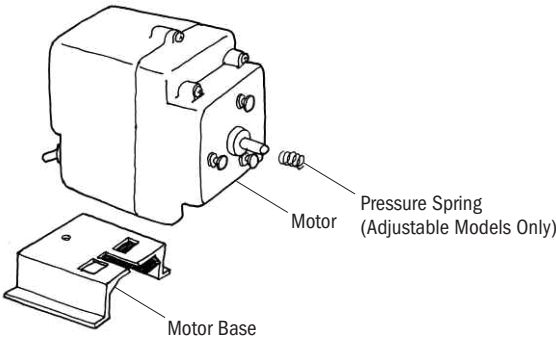
# MOTOR 60Hz



## Motor 60Hz

DESCRIPTION	WORKS WITH	PART NUMBER	UM
120V	Classic Adjustable 45, 100	PM6041D	EA
220V		PM6042D	EA
120V	Classic Adjustable 85, 170	PM6081D	EA
220V		PM6082D	EA
120V	Classic Fixed 45	ME6041D	EA
220V		ME6042D	EA
120V	Classic Fixed 85	ME6081D	EA
220V		ME6082D	EA
120V	Classic Fixed 100	DM6041D	EA
220V		DM6042D	EA
120V	Classic Fixed 170	DM6081D	EA
220V		DM6082D	EA

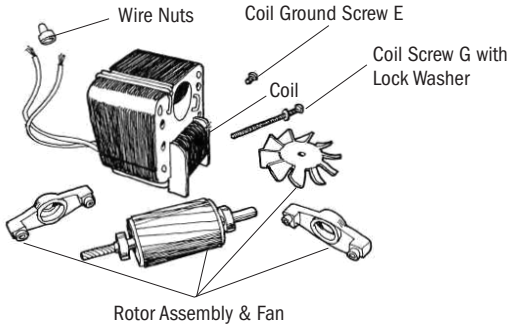
# MOTOR 50Hz *International*



## Motor 50Hz *International*

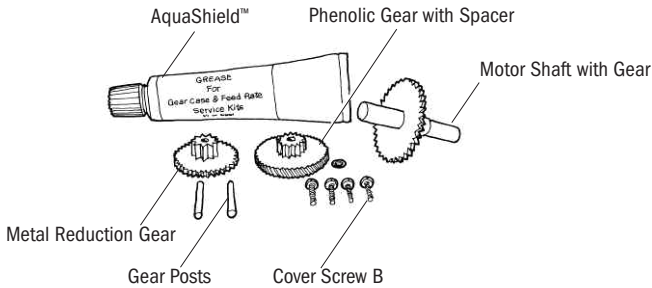
DESCRIPTION	WORKS WITH	PART NUMBER	UM
230V	Classic Adjustable 45, 100	PM64230	EA
250V		PM6426D	EA
230V	Classic Adjustable 85, 170	PM68230	EA
250V		PM6826D	EA
230V	Classic Fixed 45	ME64230	EA
250V		ME6426D	EA
230V	Classic Fixed 85	ME68230	EA
250V		ME6826D	EA
230V	Classic Fixed 100	DM64230	EA
250V		DM64250	EA
230V	Classic Fixed 170	DM68230	EA
250V		DM68250	EA

# MOTOR SERVICE KITS



## Motor Service Kit 60Hz

DESCRIPTION	PART NUMBER	UM
120V	MSK120	KIT
220V	MSK220	KIT

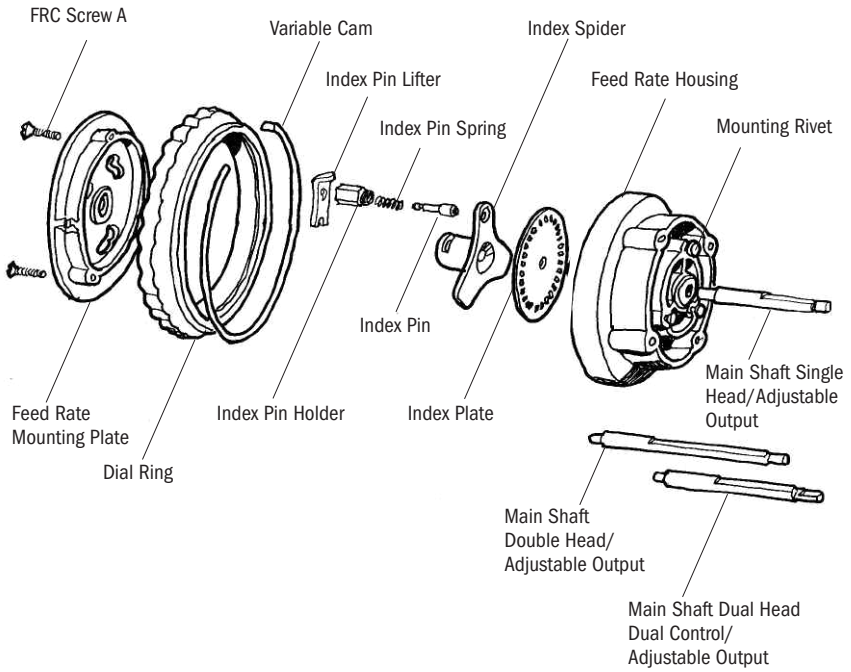


## Gear Case Service Kit

WORKS WITH	PART NUMBER	UM
Classic Adjustable 45, 100	GSK45A	KIT
Classic Adjustable 85, 170	GSK85A	KIT
Classic Fixed 45	GSK45F	KIT
Classic Fixed 85	GSK85F	KIT

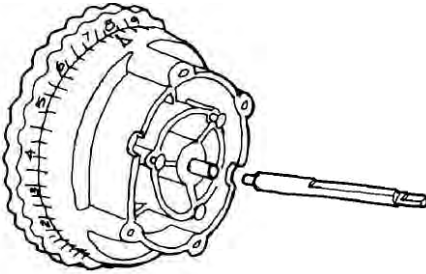


# FEED RATE CONTROL EXPLODED VIEW



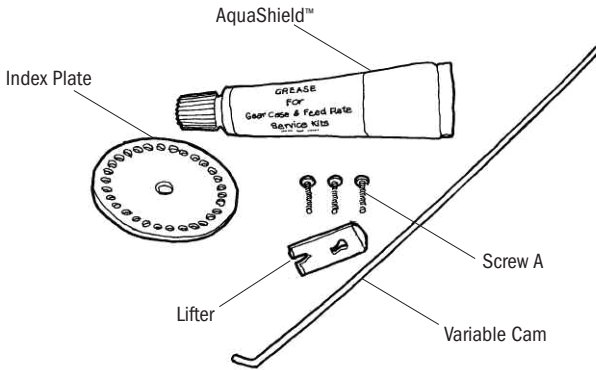
Contact factory for part numbers.

# FEED RATE CONTROL AND SERVICE KIT



## Feed Rate Control with Shaft

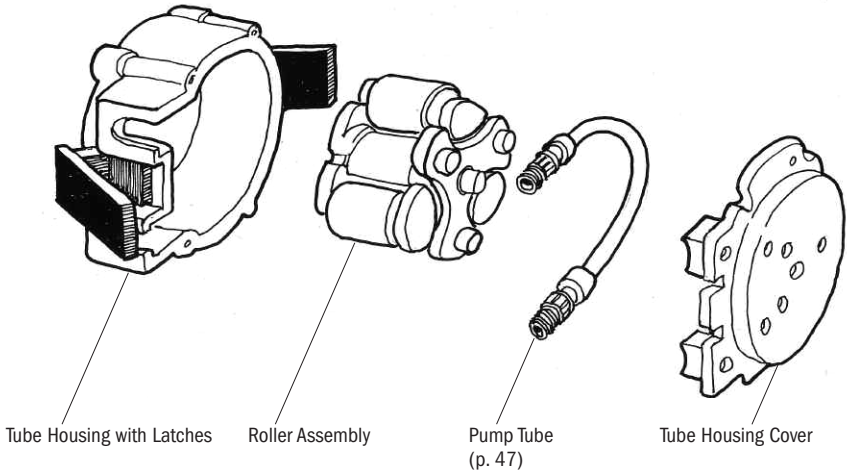
WORKS WITH	PART NUMBER	UM
Classic Adjustable 45, 85	FC5040D	EA
Classic Adjustable 100, 170	DM5040D	EA
Classic Dual Control 100, 170	DM504DC	EA



## Feed rate control Service Kit

WORKS WITH	PART NUMBER	UM
Classic Adjustable 45, 85, 100, 170	FSK100	KIT

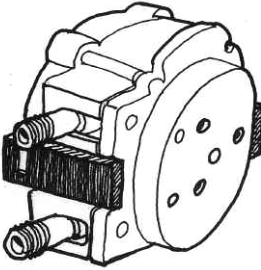
# PUMP HEAD EXPLODED VIEW



## Pump Head Parts

DESCRIPTION	PART NUMBER	UM
Tube Housing with Latches	QP400-1	EA
	QP400-2	2-PK
Latches	QP401-2	2-PK
Roller Assembly	QP500-1	EA
	QP500-4	4-PK
Rollers, Arms, Bushings and Screws	QP500-3	EA
Tube Housing Cover with Bushing	QP100-1	EA
	QP100-4	4-PK

# PUMP HEAD



## Pump Tube\* Pressure Rating

**25 psi (1.7 bar) maximum:** # 1, 2, 3, 4, 5

**100 psi (6.9 bar) maximum:** # 1, 2, 7 check valve required

\* Refer to output chart to match tube & pump model.

DESCRIPTION	PART NUMBER	UM
Includes Santoprene® pump tube, ferrules 1/4" <i>select tube # 1, 2, 3, 4 or 5 for __</i>	QP25__-1	EA
	QP25__-2	2-PK
Includes Santoprene® pump tube & duckbill, ferrules 1/4" <i>select tube # 1, 2 or 7 for __</i> <i>#7 is not for Classic 100, 170</i>	QP10__-1	EA
Includes Versilon® pump tube, ferrules 1/4" <i>select tube # 1, 2, 3, 4 or 5 for __</i>	QP25T__-1	EA
Includes Versilon® pump tube, ferrules 1/4", Pellethane® duckbill <i>select tube # 1 or 2 for __</i>	QP10T__-1	EA

## EUROPE

Includes Santoprene® pump tube, ferrules 6 mm <i>select tube # 1, 2, 3, 4 or 5 for __</i>	QP17__-1	EA
	QP17__-2	2-PK
Includes Santoprene® pump tube & duckbill, ferrules 6 mm <i>select tube # 1, 2 or 7 for __</i> <i>#7 is not for Classic 100, 170</i>	QP69__-1	EA
Includes Versilon® pump tube, ferrules 6 mm <i>select tube # 1, 2, 3, 4 or 5 for __</i>	QP17T__-1	EA
Includes Versilon® pump tube, ferrules 6 mm, Pellethane® duckbill <i>select tube # 1 or 2 for __</i>	QP69T__-1	EA

NOTE: Confirm material compatibility with chemical resistance guide in catalog.

# PUMP HEAD SERVICE KITS

## 25 psi (1.7 bar) Max.



Roller Assembly



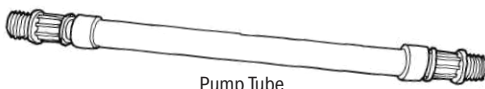
Latches



Ferrules 1/4" or 6 mm *Europe*



Connecting Nuts 1/4"



Pump Tube

### 25 psi maximum

DESCRIPTION	PART NUMBER	UM
Kit includes Santoprene® pump tube <i>select tube # 1, 2, 3, 4 or 5 for ___</i>	QP25__K	KIT
Kit includes Versilon® pump tube <i>select tube # 1, 2, 3, 4 or 5 for ___</i>	QP25T__K	KIT
<b>EUROPE 1.7 bar maximum</b>		
Kit includes Santoprene® pump tube, ferrules 6 mm <i>select tube # 1, 2, 3, 4, or 5 for ___</i>	QP17__K	KIT
Kit includes Versilon® pump tube, ferrules 6 mm <i>select tube # 1, 2, 3, 4 or 5 for ___</i>	QP17T__K	KIT

NOTE: Confirm material compatibility with chemical resistance guide in catalog.

### Pump Tube\* Pressure Rating

**25 psi (1.7 bar) maximum:** # 1, 2, 3, 4, 5

**100 psi (6.9 bar) maximum:** # 1, 2, 7 check valve required

\* Refer to output chart to match tube & pump model.

# PUMP HEAD SERVICE KITS

## 100 psi (6.9 bar) Max.



Roller Assembly



Latches



Ferrules 1/4" or 6 mm *Europe*



Connecting Nuts 1/4"



Pump Tube



Duckbill

### 100 psi maximum

DESCRIPTION	PART NUMBER	UM
Kit includes Santoprene® pump tube & duckbill <i>select tube # 1, 2 or 7 for ___</i> <i>#7 is not for Classic 100, 170</i>	QP10__K	KIT
Kit includes Versilon® pump tube & Pellethane® duckbill <i>select tube # 1, or 2 for ___</i>	QP10T__K	KIT

### EUROPE 6.9 bar maximum

Kit includes Santoprene® pump tube & duckbill & ferrules 6 mm <i>select tube # 1, 2 or 7 for ___</i> <i>#7 is not for Classic 100, 170</i>	QP69__K	KIT
Kit includes Versilon® pump tube, Pellethane® duckbill, ferrules 6 mm <i>select tube # 1, or 2 for ___</i>	QP69T__K	KIT

NOTE: Confirm material compatibility with chemical resistance guide in catalog.

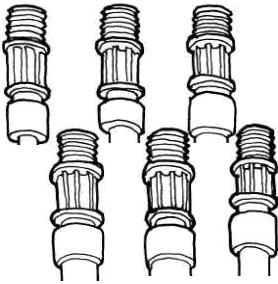
### Pump Tube<sup>\*</sup> Pressure Rating

**25 psi (1.7 bar) maximum:** # 1, 2, 3, 4, 5

**100 psi (6.9 bar) maximum:** # 1, 2, 7 check valve required

<sup>\*</sup> Refer to output chart to match tube & pump model.

# PUMP TUBES



Tube number located on fitting

## Pump Tube\* Pressure Rating

25 psi (1.7 bar) maximum: # 1, 2, 3, 4, 5

100 psi (6.9 bar) maximum: # 1, 2, 7 check valve required

\* Refer to output chart to match tube & pump model.

DESCRIPTION	PART NUMBER	UM
Santoprene® pump tube, ferrules 1/4" select tube # 1, 2, 3, 4, 5 or 7 for __ #7 is not for Classic 100, 170	UCCP20__	2-PK
	MCCP20__	5-PK
Santoprene® pump tube & duckbills, ferrules 1/4" select tube # 1, 2 or 7 for __ #7 is not for Classic 100, 170	UCCP__FD	2-PK
Versilon® pump tube, ferrules 1/4" select tube # 1, 2, 3, 4 or 5 for __	UCTYGO__	2-PK
	MCTYGO__	5-PK
Versilon® pump tube, ferrules 1/4" & Pellethane® duckbills select tube # 1 or 2 for __	UCTY__FD	2-PK

## EUROPE

Santoprene® pump tube, ferrules 6 mm select tube # 1, 2, 3, 4 or 5 for __	UCCP2__CE	2-PK
	MCCP2__CE	5-PK
Santoprene® pump tube & duckbills, ferrules 6 mm select tube # 1, 2 or 7 for __ #7 is not for Classic 100, 170	UC__FDCE	2-PK
Versilon® pump tube, ferrules 6 mm select tube # 1, 2, 3, 4 or 5 for __	UCTY__CE	2-PK
	MCTY__CE	5-PK
Versilon® pump tube, ferrules 6 mm, Pellethane® duckbills select tube # 1 or 2 for __	UCTY__DCE	2-PK

NOTE: Confirm material compatibility with chemical resistance guide in catalog.

# CHECK VALVES

Injection Check Valve 1/4"



Injection Check Valve 3/8"



Injection Check Valve 6 mm



## 100 psi maximum

DESCRIPTION	PART NUMBER	UM
Includes Santoprene® duckbill, ferrule 1/4"	UCDBINJ	EA
	MCDBINJ	5-PK
Includes Santoprene® duckbill, ferrule 3/8"	UCINJ38	EA
	MCINJ38	5-PK
Includes Pellethane® duckbill, ferrule 1/4"	UCTYINJ	EA
	MCTYINJ	5-PK
Includes Pellethane® duckbill, ferrule 3/8"	UCTYIJ38	EA
	MCTYIJ38	5-PK
Includes FKM duckbill, ferrule 1/4"	UCKMINJ	EA
	MCKMINJ	5-PK
Includes FKM duckbill, ferrule 3/8"	UCKMI38	EA
	MCKMI38	5-PK
Injection ball check valve 1/4"	BCV14TVH	EA

## EUROPE 6.9 bar maximum

Includes Santoprene® duckbill, ferrule 6 mm	UCINJCE	EA
	MCINJCE	5-PK
Includes Pellethane® duckbill, ferrule 6 mm	UCTINJCE	EA
	MCTINJCE	5-PK
Includes FKM duckbill, ferrule 6 mm	UCKMJCE	EA
	MCKMJCE	5-PK

NOTE: Confirm material compatibility with chemical resistance guide in catalog.



# FOR YOUR RECORDS

---

Pump Item Number

---

Serial Number

---

Date of Installation

## **STENNER PUMPS<sup>®</sup>**

### **STENNER PUMP COMPANY**

3174 DeSalvo Road  
Jacksonville, Florida 32246 USA

Phone: 904.641.1666

US Toll Free: 800.683.2378

Fax: 904.642.1012

[sales@stenner.com](mailto:sales@stenner.com)

[www.stenner.com](http://www.stenner.com)

Hours of Operation (EST):

Mon.–Thu. 7:30 am–5:30 pm

Fri. 7:00 am–5:30 pm

 Assembled in the USA

© Stenner Pump Company  
All Rights Reserved

# **SERIE CLASICA**

## **MANUAL DE INSTALACION Y MANTENIMIENTO**

---

### **DOSIFICADORES PERISTALTICOS DESDE 1957**

#### **⚠️ ADVERTENCIA**

INSTALACION DEBE SER REALIZADA Y MANTENIDA POR PROFESIONALES DEBIDAMENTE ENTRENADOS. LEA EL MANUAL Y LAS ETIQUETAS PARA OBTENER LAS INSTRUCCIONES Y LA INFORMACION DE SEGURIDAD.

# **TABLA DE CONTENIDO**

<b>GARANTIA Y NORMAS DE SERVICIO.....</b>	<b>3</b>
<b>INFORMACION DE SEGURIDAD .....</b>	<b>4-11, 14-17, 19-23, 26, 27, 30, 34</b>
<b>CAUDALES .....</b>	<b>6-11</b>
<b>MATERIALES DE CONSTRUCCION .....</b>	<b>12</b>
<b>ACCESORIOS .....</b>	<b>13</b>
<b>INSTALACION.....</b>	<b>14-22</b>
<b>GUIA DE REPARACION DE AVERIAS .....</b>	<b>23-26</b>
<b>CAMBIO DE TUBOS.....</b>	<b>27-33</b>
<b>LIMPIEZA DEL PUNTO DE INYECCION.....</b>	<b>34-36</b>
<b>MOTOR - DIAGRAMA DETALLADO Y PARTES.....</b>	<b>37-40</b>
<b>CABEZAL - DIAGRAMA DETALLADO Y PARTES .....</b>	<b>41-42</b>
<b>CONTROLADOR DE CAUDAL - DIAGRAMA DETALLADO Y PARTES ....</b>	<b>43-46</b>
<b>TUBOS DE BOMBEO .....</b>	<b>47</b>
<b>VALVULAS DE INYECCION .....</b>	<b>48</b>
<b>REFERENCIA.....</b>	<b>49</b>

IMCL 120418b

# GARANTIA Y NORMAS DE SERVICIO

## GARANTIA LIMITADA

Stenner Pump Company cambiará o reparará (nuestra opción) todo producto defectuoso por un año desde el momento de compra (se requiere comprobante/recibo de compra). Stenner no es responsable por los costos de cambio y reemplazo de partes. Tubos de bombeo y otras partes de goma son partes de desgaste y no están cubiertos bajo la garantía. El tubo de bombeo será reemplazado cada vez que la bomba se envíe por una reparación bajo garantía, si no está especificado de otra manera. El costo del nuevo tubo de bombeo será responsabilidad del cliente. Stenner se hará cargo del costo de envío de los productos bajo garantía desde nuestra fábrica en Jacksonville, Florida, USA. Cualquier manipulación de los componentes, daño químico, conexiones mal hechas, daño por razones climáticas, variaciones de voltaje, maltrato o el no seguimiento de las instrucciones de uso y mantenimiento indicadas en este manual, anularán la garantía del producto. Stenner limita su responsabilidad solamente por el costo del producto original. No otorgamos ninguna otra garantía expresada o implícita.

## DEVOLUCIONES

Stenner tiene una política de devoluciones de 30 días en compras directas de fábrica. Con excepción de provisiones pre-acordadas, Stenner no recibirá devoluciones después de 30 días de su compra. Por devoluciones, llame al 904-641-1666 y pida un número de autorización de devoluciones (RMA #). Un 15% de cargo administrativo será aplicado. Envíe una copia de su factura original con su devolución.

## ENVÍOS DAÑADOS O PERDIDOS

Todos los envíos deben ser controlados y chequeados inmediatamente en el momento en que son recibidos. Todos los daños deben ser anotados en el comprobante de entrega. Llámenos al 904-641-1666 por quejas de envíos dañados e incompletos en menos de 7 días de recibo del mismo.

## SERVICIOS Y REPARACIONES

Previo a la devolución de un dosificador a la fábrica, asegúrese de limpiar cualquier residuo químico del tubo de bombeo, circulando agua por el mismo y luego dejando que bombee en seco. Luego del vencimiento del período de garantía, Stenner Pump Company limpiará y arreglará cualquier dosificador Stenner, por un mínimo cargo por la mano de obra, el costo de las partes que deban ser reemplazadas y el costo de envío. Todos los dosificadores enviados a nuestra fábrica para ser reacondicionados serán devueltos a su condición original. El cliente será facturado por todas las partes faltantes a menos que instrucciones específicas sean determinadas. Para regresar mercadería a Stenner, llame al 904-641-1666 y obtenga un número de autorización de devolución (RMA #).

## CLAUSULA DE EXENCION DE RESPONSABILIDAD

La información contenida en este manual no está dirigida a aplicaciones específicas. Stenner Pump Company se reserva el derecho de cambiar precios, productos y especificaciones en cualquier momento y sin previo aviso.

## MARCAS REGISTRADAS

QuickPro® es una marca registrada de Stenner Pump Company.

Santoprene® es una marca comercial registrada de Exxon Mobil Corporation.

Versilon® es una marca comercial registrada de Saint-Gobain Performance Plastics.

Pellethane® es una marca comercial registrada de Lubrizol Advanced Materials, Inc.

AquaShield™ es una marca comercial registrada de Houghton International.

# INSTRUCCIONES DE SEGURIDAD

## INSTRUCCIONES DE SEGURIDAD IMPORTANTES

Al instalar y usar este equipo eléctrico, siempre se deben seguir las precauciones básicas de seguridad, incluyendo las siguientes:

## LEA Y SIGA TODAS LAS INSTRUCCIONES



**▲ WARNING** Este símbolo le advierte de potencial peligro que puede causarle muerte o serios daños a su persona o propiedad si lo ignora.



**▲ WARNING** RIESGO DE DESCARGA ELECTRICA



**▲ WARNING** RIESGO DE DESCARGA ELECTRICA

Este dosificador incluye un cable eléctrico con conductor a tierra y enchufe apropiado. Conéctelo a un receptáculo eléctrico con conexión a tierra adecuado. Instale únicamente en un circuito protegido por un interruptor diferencial.



**▲ AVERTISSEMENT** DANGER DE CHOC ÉLECTRIQUE

La pompe est dotée d'un cordon d'alimentation avec mise à la terre muni d'une fiche. Pour réduire le risque de choc électrique, branchez uniquement sur une prise correctement mise à la terre. Installez uniquement sur un circuit protégé par un disjoncteur différentiel.



**NO DEBE** alterar o cortar el cable eléctrico o el enchufe.



**NO DEBE** utilizar receptáculos eléctricos adaptadores.



**NO DEBE** utilizar un dosificador con el cable o el enchufe alterado o dañado. Contacte la fábrica o un distribuidor autorizado para su reparación.



**▲ WARNING** RIESGO ELECTRICO

**DESCONECTE** el cable de electricidad antes de remover la cobertura del motor para repararlo. **Reparaciones eléctricas deben ser realizadas por profesionales únicamente.**



**▲ WARNING** RIESGO DE EXPLOSION

Este dosificador **NO** es a prueba de explosión. **NO DEBE** ser instalado u operado en ambientes explosivos.



**▲ WARNING** RIESGO DE CONTACTO QUIMICO

Existe potencial de quemaduras químicas, incendio, explosión, daño a su persona o propiedad. Para reducir el riesgo al contacto químico, es mandatorio el uso de equipo protectivo apropiado.



**▲ WARNING** RIESGO DE INCENDIO

**NO DEBE** instalar este dosificador sobre una superficie inflamable.



**▲ WARNING** RIESGO DE SOBREDOSIFICACION QUIMICA

Siga las instrucciones de instalación para reducir riesgos. Verifique sus códigos legales locales por indicaciones adicionales.



**▲ WARNING** Para reducir el riesgo de lesiones, no permita que niños operen este producto. Este equipo no debe ser operado por personas con reducidas capacidades físicas, sensoriales o mentales, sin experiencia o conocimiento; a menos que hayan recibido supervisión o instrucciones.

# INSTRUCCIONES DE SEGURIDAD



**CAUTION** Este símbolo le advierte de potencial peligro que puede causarle menores daños a su persona o propiedad si lo ignora.









**CAUTION** PLOMERIA

La instalación del dosificador debe seguir los códigos y requerimientos de plomería locales. Asegúrese de no provocar una conexión cruzada. Verifique sus códigos de instalación locales por más información.



**NOTICE:** Este símbolo indica instrucciones especiales o mandatorias a seguir.

-  Este dosificador es portable y está designado para poder ser removido del sistema de tuberías sin causar daño a las conexiones.
-  Antes de instalar o realizar mantenimiento en el dosificador, lea el manual con información de seguridad e instrucciones. El dosificador ha sido diseñado para ser instalado y mantenido por personal debidamente entrenado.
-  La instalación de este producto debe adherirse a todos los códigos de cumplimiento de la región.
-  Este dosificador y sus partes se han sometido a pruebas para su uso con los siguientes químicos: Hipoclorito de Sodio (10-15%), Acido Muriático (20-22 Baume, 31.5% HCl), y Calitre.
-  Cette pompe de dosage et ses composants ont été testés pour leur compatibilité avec les produits chimiques suivants : hypochlorite de sodium (10 à 15 %), acide chlorhydrique (20 à 22 % Baume, 31,5 % HCl), et carbonate de sodium.
-  Este dosificador está certificado por WQA para su uso con Agua e Hipoclorito de Sodio 15%.



**Este es el símbolo de advertencia. Cuando vea este símbolo en nuestra literatura o equipo, por favor lea las instrucciones que lo acompañen alertándolo de posible daño a su persona o propiedad.**



**DOSIFICADOR PUEDE USARSE AL AIRE LIBRE** cuando se instala con un techo de protección de lluvia Stenner, número de parte: MP90000.



La instalación eléctrica debe seguir los códigos de seguridad nacionales y locales. Consulte un profesional por asistencia con la instalación eléctrica apropiada.



Al desconectar la electricidad de la bomba de recirculación de la piscina o spa, también desconecta la electricidad del dosificador.



El uso de un mecanismo auxiliar (no incluido), como ser un sensor de caudal, es recomendado, para prevenir el funcionamiento del dosificador, en caso de que la bomba recirculante se averíe y/o no hubiese caudal.



El punto de inyección del químico debe ser después de otras bombas, filtros y calentadores.



Dosificador diseñado para uso interior y exterior.



Adaptée à une utilisation aussi bien à l'intérieur qu'à l'extérieur.

## GUARDE ESTAS INSTRUCCIONES

# CAUDALES DE LA SERIE CLASICA 45

## Un Cabezal Ajustable – Litros por Día

Modelo	Prefijo de Número de Parte	Presión Máxima psi / bar	No. de Tubo	Posición del controlador de caudal										
				L	1	2	3	4	5	6	7	8	9	10
45MHP2*	45MJH1	100 / 6.9	1	0.6	0.9	1.8	2.7	3.6	4.5	5.5	6.4	7.3	8.2	9.1
45M1	45MJL1	25 / 1.7												
45MHP10*	45MJH2	100 / 6.9	2	1.5	3.0	6.1	9.1	12.1	15.1	18.2	21.2	24.2	27.3	30.3
45M2	45MJL2	25 / 1.7												
45MHP22*	45MJH7	100 / 6.9	7	3.3	6.6	13.3	20.0	26.6	33.3	40.0	46.6	53.3	60.0	66.6
45M3	45MJL3	25 / 1.7		3										
45M4	45MJL4	25 / 1.7	4	5.1	10.6	21.2	31.8	42.4	53.0	63.6	74.2	84.8	95.4	106.0
45M5	45MJL5	25 / 1.7	5	7.6	15.1	30.3	45.4	60.6	75.7	90.8	106.0	121.1	136.3	151.4

Caudales Aproximados @ 50Hz

## Un Cabezal Ajustable – Galones por Día

Modelo	Prefijo de Número de Parte	Presión Máxima psi / bar	No. de Tubo	Posición del controlador de caudal										
				L	1	2	3	4	5	6	7	8	9	10
45MHP2*	45MJH1	100 / 6.9	1	0.2	0.3	0.6	0.9	1.2	1.5	1.8	2.1	2.4	2.7	3.0
45M1	45MJL1	25 / 1.7												
45MHP10*	45MJH2	100 / 6.9	2	0.5	1.0	2.0	3.0	4.0	5.0	6.0	7.0	8.0	9.0	10.0
45M2	45MJL2	25 / 1.7												
45MHP22*	45MJH7	100 / 6.9	7	1.1	2.2	4.4	6.6	8.8	11.0	13.2	15.4	17.6	19.8	22.0
45M3	45MJL3	25 / 1.7		3										
45M4	45MJL4	25 / 1.7	4	1.7	3.5	7.0	10.5	14.0	17.5	21.0	24.5	28.0	31.5	35.0
45M5	45MJL5	25 / 1.7	5	2.5	5.0	10.0	15.0	20.0	25.0	30.0	35.0	40.0	45.0	50.0

Caudales Aproximados @ 60Hz

## Un Cabezal Fijo – Litros y Galones por Día

Modelo	Prefijo de Número de Parte	Presión Máxima psi / bar	No. de Tubo	lpd @ 50Hz	gpd @ 60Hz
45MPHP2*	45MFH1	100 / 6.9	1	9.1	3.0
45MP1	45MFL1	25 / 1.7			
45MPHP10*	45MFH2	100 / 6.9	2	30.3	10.0
45MP2	45MFL2	25 / 1.7			
45MPHP22*	45MFH7	100 / 6.9	7	66.6	22.0
45MP3	45MFL3	25 / 1.7			
45MP4	45MLF4	25 / 1.7	4	106.0	35.0
45MP5	45MLF5	25 / 1.7	5	151.4	50.0

Caudales Aproximados @ 50 & 60Hz

\* Válvula de inyección incluida con dosificadores clasificados de 100 psi (6.9 bar) máximo.



**NOTICE:** La información en el diagrama es para ser usada como guía. Los caudales son aproximaciones basadas en la dosificación de agua en ambiente controlado. Existen variables que afectan el caudal del dosificador. Stenner Pump Company recomienda que todos los dosificadores sean calibrados en la aplicación mediante tests analíticos para confirmar los caudales.



# CAUDALES DE LA SERIE CLASICA 85

## Un Cabezal Ajustable – Litros por Día

Modelo	Prefijo de Número de Parte	Presión Máxima psi / bar	No. de Tubo	Posición del controlador de caudal										
				L	1	2	3	4	5	6	7	8	9	10
85MHP5*	85MJH1	100 / 6.9	1	0.9	1.5	3.0	4.5	6.1	7.6	9.1	10.6	12.1	13.6	15.1
85M1	85MJL1	25 / 1.7												
85MHP17*	85MJH2	100 / 6.9	2	2.4	5.1	10.3	15.4	20.6	25.7	30.9	36.0	41.2	46.3	51.5
85M2	85MJL2	25 / 1.7												
85MHP40*	85MJH7	100 / 6.9	7	6.1	12.1	24.2	36.3	48.5	60.6	72.7	84.8	96.9	109.0	121.1
85M3	85MJL3	25 / 1.7	3	9.1	18.2	36.3	54.5	72.7	90.8	109.0	127.2	145.3	163.5	181.7
85M4	85MJL4	25 / 1.7	4	13.0	25.7	51.5	77.2	103.0	128.7	154.4	180.0	205.9	231.6	257.4
85M5	85MJL5	25 / 1.7	5											

Caudales Aproximados @ 50Hz

## Un Cabezal Ajustable – Galones por Día

Modelo	Prefijo de Número de Parte	Presión Máxima psi / bar	No. de Tubo	Posición del controlador de caudal										
				L	1	2	3	4	5	6	7	8	9	10
85MHP5*	85MJH1	100 / 6.9	1	0.3	0.5	1.0	1.5	2.0	2.5	3.0	3.5	4.0	4.5	5.0
85M1	85MJL1	25 / 1.7												
85MHP17*	85MJH2	100 / 6.9	2	0.8	1.7	3.4	5.1	6.8	8.5	10.2	11.9	13.6	15.3	17.0
85M2	85MJL2	25 / 1.7												
85MHP40*	85MJH7	100 / 6.9	7	2.0	4.0	8.0	12.0	16.0	20.0	24.0	28.0	32.0	36.0	40.0
85M3	85MJL3	25 / 1.7	3	3.0	6.0	12.0	18.0	24.0	30.0	36.0	42.0	48.0	54.0	60.0
85M4	85MJL4	25 / 1.7	4	4.3	8.5	17.0	25.5	34.0	42.5	51.0	59.5	68.0	76.5	85.0
85M5	85MJL5	25 / 1.7	5											

Caudales Aproximados @ 60Hz

## Un Cabezal Fijo – Litros y Galones por Día

Modelo	Prefijo de Número de Parte	Presión Máxima psi / bar	No. de Tubo	lpd @ 50Hz	gpd @ 60Hz
85MPHP5*	85MFH1	100 / 6.9	1	15.1	5.0
85MP1	85MFL1	25 / 1.7			
85MPHP17*	85MFH2	100 / 6.9	2	51.5	17.0
85MP2	85MFL2	25 / 1.7			
85MPHP40*	85MFH7	100 / 6.9	7	121.1	40.0
85MP3	85MFL3	25 / 1.7	3		
85MP4	85MFL4	25 / 1.7	4	181.7	60.0
85MP5	85MFL5	25 / 1.7	5	257.4	85.0

Caudales Aproximados @ 50 & 60Hz

\* Válvula de inyección incluida con dosificadores clasificados de 100 psi (6.9 bar) máximo.



**NOTICE:** La información en el diagrama es para ser usada como guía. Los caudales son aproximaciones basadas en la dosificación de agua en ambiente controlado. Existen variables que afectan el caudal del dosificador. Stenner Pump Company recomienda que todos los dosificadores sean calibrados en la aplicación mediante tests analíticos para confirmar los caudales.

# CAUDALES DE LA SERIE CLASICA 100

## Doble Cabezal Ajustable – Litros por Día

Modelo	Prefijo de Número de Parte	Presión Máxima psi / bar	No. de Tubo	Posición del controlador de caudal										
				L	1	2	3	4	5	6	7	8	9	10
100DMHP5*	100JH1	100 / 6.9	1	0.9	1.8	3.6	5.5	7.3	9.1	10.9	12.7	14.5	16.4	18.2
100DM1	100JL1	25 / 1.7												
100DMHP20*	100JH2	100 / 6.9	2	3.0	6.1	12.1	18.2	24.2	30.3	36.4	42.4	48.5	54.5	60.6
100DM2	100JL2	25 / 1.7												
100DM3	100JL3	25 / 1.7	3	6.7	13.3	26.7	40.0	53.3	66.6	79.9	93.3	106.6	119.9	133.2
100DM4	100JL4	25 / 1.7	4	10.6	21.2	42.4	63.6	84.8	106.0	127.2	148.4	169.6	190.8	212.0
100DM5	100JL5	25 / 1.7	5	15.1	30.3	60.6	90.8	121.1	151.4	181.7	212.0	242.2	272.5	302.8

Caudales Aproximados @ 50Hz

## Doble Cabezal Ajustable – Galones por Día

Modelo	Prefijo de Número de Parte	Presión Máxima psi / bar	No. de Tubo	Posición del controlador de caudal										
				L	1	2	3	4	5	6	7	8	9	10
100DMHP5*	100JH1	100 / 6.9	1	0.3	0.6	1.2	1.8	2.4	3.0	3.6	4.2	4.8	5.4	6.0
100DM1	100JL1	25 / 1.7												
100DMHP20*	100JH2	100 / 6.9	2	1.0	2.0	4.0	6.0	8.0	10.0	12.0	14.0	16.0	18.0	20.0
100DM2	100JL2	25 / 1.7												
100DM3	100JL3	25 / 1.7	3	2.2	4.4	8.8	13.2	17.6	22.0	26.4	30.8	35.2	39.6	44.0
100DM4	100JL4	25 / 1.7	4	3.5	7.0	14.0	21.0	28.0	35.0	42.0	49.0	56.0	63.0	70.0
100DM5	100JL5	25 / 1.7	5	5.0	10.0	20.0	30.0	40.0	50.0	60.0	70.0	80.0	90.0	100.0

Caudales Aproximados @ 60Hz

## Doble Cabezal Fijo – Litros y Galones por Día

Modelo	Prefijo de Número de Parte	Presión Máxima psi / bar	No. de Tubo	lpd @ 50Hz	gpd @ 60Hz
100DMPHP5*	100FH1	100 / 6.9	1	18.2	6.0
100DMP1	100FL1	25 / 1.7			
100DMPHP20*	100FH2	100 / 6.9	2	60.6	20.0
100DMP2	100FL2	25 / 1.7			
100DMP3	100FL3	25 / 1.7	3	133.2	44.0
100DMP4	100FL4	25 / 1.7	4	212.0	70.0
100DMP5	100FL5	25 / 1.7	5	302.8	100.0

Caudales Aproximados @ 50 & 60Hz

\* Válvula de inyección incluida con dosificadores clasificados de 100 psi (6.9 bar) máximo.



**NOTICE:** La información en el diagrama es para ser usada como guía. Los caudales son aproximaciones basadas en la dosificación de agua en ambiente controlado. Existen variables que afectan el caudal del dosificador. Stenner Pump Company recomienda que todos los dosificadores sean calibrados en la aplicación mediante tests analíticos para confirmar los caudales.

# CAUDALES DE LA SERIE CLASICA 170

## Doble Cabezal Ajustable – Litros por Día

Modelo	Prefijo de Número de Parte	Presión Máxima psi / bar	No. de Tubo	Posición del controlador de caudal										
				L	1	2	3	4	5	6	7	8	9	10
170DMHP9*	170JH1	100 / 6.9	1	1.5	3.0	6.1	9.1	12.1	15.1	18.2	21.2	24.2	27.3	30.3
170DM1	170JL1	25 / 1.7		1.5	3.0	6.1	9.1	12.1	15.1	18.2	21.2	24.2	27.3	30.3
170DMHP34*	170JH2	100 / 6.9	2	5.1	10.3	18.2	28.8	39.1	51.5	61.8	72.1	82.4	92.7	102.6
170DM2	170JL2	25 / 1.7		5.1	10.3	18.2	28.8	39.1	51.5	61.8	72.1	82.4	92.7	102.6
170DM3	170JL3	25 / 1.7	3	12.1	24.2	48.5	72.7	96.9	121.1	145.4	169.6	193.8	218.0	242.2
170DM4	170JL4	25 / 1.7	4	18.2	36.3	72.7	109.0	145.3	181.7	218.0	254.4	290.7	327.0	363.4
170DM5	170JL5	25 / 1.7	5	25.7	51.5	86.0	154.4	205.9	257.4	308.9	360.4	411.8	463.3	514.8
Caudales Aproximados @ 50Hz														

## Doble Cabezal Ajustable – Galones por Día

Modelo	Prefijo de Número de Parte	Presión Máxima psi / bar	No. de Tubo	Posición del controlador de caudal										
				L	1	2	3	4	5	6	7	8	9	10
170DMHP9*	170JH1	100 / 6.9	1	0.5	1.0	2.0	3.0	4.0	5.0	6.0	7.0	8.0	9.0	10.0
170DM1	170JL1	25 / 1.7		0.5	1.0	2.0	3.0	4.0	5.0	6.0	7.0	8.0	9.0	10.0
170DMHP34*	170JH2	100 / 6.9	2	1.7	3.4	6.0	9.5	13.6	17.0	20.4	23.8	27.2	30.6	34.0
170DM2	170JL2	25 / 1.7		1.7	3.4	6.0	9.5	13.6	17.0	20.4	23.8	27.2	30.6	34.0
170DM3	170JL3	25 / 1.7	3	4.0	8.0	16.0	24.0	32.0	40.0	48.0	56.0	64.0	72.0	80.0
170DM4	170JL4	25 / 1.7	4	6.0	12.0	24.0	36.0	48.0	60.0	72.0	84.0	96.0	108.0	120.0
170DM5	170JL5	25 / 1.7	5	8.5	17.0	34.0	51.0	68.0	85.0	102.0	119.0	136.0	153.0	170.0
Caudales Aproximados @ 60Hz														

## Doble Cabezal Fijo – Litros y Galones por Día

Modelo	Prefijo de Número de Parte	Presión Máxima psi / bar	No. de Tubo	lpd @ 50Hz	gpd @ 60Hz
				170DMHP9*	170FH1
170DMP1	170FL1	25 / 1.7	30.3	10.0	
170DMHP34*	170FH2	100 / 6.9	2	102.6	34.0
170DMP2	170FL2	25 / 1.7		102.6	34.0
170DMP3	170FL3	25 / 1.7	3	242.2	80.0
170DMP4	170FL4	25 / 1.7	4	363.4	120.0
170DMP5	170FL5	25 / 1.7	5	514.8	170.0
Caudales Aproximados @ 50 & 60Hz					

\* Válvula de inyección incluida con dosificadores clasificados de 100 psi (6.9 bar) máximo.



**NOTICE:** La información en el diagrama es para ser usada como guía. Los caudales son aproximaciones basadas en la dosificación de agua en ambiente controlado. Existen variables que afectan el caudal del dosificador. Stenner Pump Company recomienda que todos los dosificadores sean calibrados en la aplicación mediante tests analíticos para confirmar los caudales.

# CAUDALES DE LA SERIE CLASICA 100MDC

## Determine Caudales Para Cada Cabezal

Utilice la tabla de caudales del cabezal interno para determinar el caudal de cada cabezal. Ambos controladores en 10 = caudal máximo del dosificador.

**Cabezal Interno:** L = 5%, 1-10 = approx. 10% of maximum innermost output

**Cabezal Externo:** (Número del controlador del cabezal externo %) x (Caudal Cabezal Interno)

### Ejemplo

100MDC5 con controlador cabezal interno en 4

1. Caudal cabezal interno en 4 = 20GPD

2. Si el controlador cabezal externo está en 3, entonces caudal externo es 30% de cabezal interno;  
 $0.3 \times 20\text{gpd} = 6\text{gpd}$

3. Cabezal externo = 6gpd; Cabezal interno = 20gpd; Caudal total del dosificador = 26gpd

## Cabezal Interno - Litros por Día

Modelo	Prefijo de Número de Parte	Presión Máxima psi / bar	No. de Tubo	Posición del controlador de caudal										
				L	1	2	3	4	5	6	7	8	9	10
100MDCHP5*	100DH1	100 / 6.9	1	0.6	0.9	1.8	2.7	3.6	4.5	5.5	6.4	7.3	8.2	9.1
100MDC1	100DL1	25 / 1.7		0.6	0.9	1.8	2.7	3.6	4.5	5.5	6.4	7.3	8.2	9.1
100MDCHP20*	100DH2	100 / 6.9	2	1.5	3.0	6.1	9.1	12.1	15.1	18.2	21.2	24.2	27.3	30.3
100MDC2	100DL2	25 / 1.7		1.5	3.0	6.1	9.1	12.1	15.1	18.2	21.2	24.2	27.3	30.3
100MDC3	100DL3	25 / 1.7	3	3.3	6.6	13.3	20.0	26.6	33.3	40.0	46.6	53.3	60.0	66.6
100MDC4	100DL4	25 / 1.7	4	5.1	10.6	21.2	31.8	42.4	53.0	63.6	74.2	84.8	95.4	106.0
100MDC5	100DL5	25 / 1.7	5	7.6	15.1	30.3	45.4	60.6	75.7	90.8	106.0	121.1	136.3	151.4

Caudales Aproximados @ 50Hz

## Cabezal Interno - Galones por Día

Modelo	Prefijo de Número de Parte	Presión Máxima psi / bar	No. de Tubo	Posición del controlador de caudal										
				L	1	2	3	4	5	6	7	8	9	10
100MDCHP5*	100DH1	100 / 6.9	1	0.2	0.3	0.6	0.9	1.2	1.5	1.8	2.1	2.4	2.7	3.0
100MDC1	100DL1	25 / 1.7		0.2	0.3	0.6	0.9	1.2	1.5	1.8	2.1	2.4	2.7	3.0
100MDCHP20*	100DH2	100 / 6.9	2	0.5	1.0	2.0	3.0	4.0	5.0	6.0	7.0	8.0	9.0	10.0
100MDC2	100DL2	25 / 1.7		0.5	1.0	2.0	3.0	4.0	5.0	6.0	7.0	8.0	9.0	10.0
100MDC3	100DL3	25 / 1.7	3	1.1	2.2	4.4	6.6	8.8	11.0	13.2	15.4	17.6	19.8	22.0
100MDC4	100DL4	25 / 1.7	4	1.7	3.5	7.0	10.5	14.0	17.5	21.0	24.5	28.0	31.5	35.0
100MDC5	100DL5	25 / 1.7	5	2.5	5.0	10.0	15.0	20.0	25.0	30.0	35.0	40.0	45.0	50.0

Caudales Aproximados @ 60Hz

\* Válvula de inyección incluida con dosificadores clasificados de 100 psi (6.9 bar) máximo.



**NOTICE:** La información en el diagrama es para ser usada como guía. Los caudales son aproximaciones basadas en la dosificación de agua en ambiente controlado. Existen variables que afectan el caudal del dosificador. Stenner Pump Company recomienda que todos los dosificadores sean calibrados en la aplicación mediante tests analíticos para confirmar los caudales.

# CAUDALES DE LA SERIE CLASICA 170MDC

## Cabezal Interno - Litros por Día

Modelo	Prefijo de Número de Parte	Presión Máxima psi / bar	No. de Tubo	Posición del controlador de caudal										
				L	1	2	3	4	5	6	7	8	9	10
170MDCHP9*	170DH1	100 / 6.9	1	0.9	1.5	3.0	4.5	6.1	7.6	9.1	10.6	12.1	13.6	15.1
170MDC1	170DL1	25 / 1.7		0.9	1.5	3.0	4.5	6.1	7.6	9.1	10.6	12.1	13.6	15.1
170MDCHP34*	170DH2	100 / 6.9	2	2.4	5.1	10.3	15.4	20.6	25.7	30.9	36.0	41.2	46.3	51.5
170MDC2	170DL2	25 / 1.7		2.4	5.1	10.3	15.4	20.6	25.7	30.9	36.0	41.2	46.3	51.5
170MDC3	170DL3	25 / 1.7	3	6.1	12.1	24.2	36.3	48.5	60.6	76.7	84.8	96.9	109.0	121.1
170MDC4	170DL4	25 / 1.7	4	9.1	18.2	36.3	54.5	76.7	90.8	109.0	127.2	145.3	163.5	181.7
170MDC5	170DL5	25 / 1.7	5	13.0	25.7	51.5	77.2	103.0	128.7	154.4	180.0	205.9	231.6	257.4

Caudales Aproximados @ 50Hz

## Cabezal Interno - Galones por Día

Modelo	Prefijo de Número de Parte	Presión Máxima psi / bar	No. de Tubo	Posición del controlador de caudal										
				L	1	2	3	4	5	6	7	8	9	10
170MDCHP9*	170DH1	100 / 6.9	1	0.3	0.5	1.0	1.5	2.0	2.5	3.0	3.5	4.0	4.5	5.0
170MDC1	170DL1	25 / 1.7		0.3	0.5	1.0	1.5	2.0	2.5	3.0	3.5	4.0	4.5	5.0
170MDCHP34*	170DH2	100 / 6.9	2	0.8	1.7	3.4	5.1	6.8	8.5	10.2	11.9	13.6	15.3	17.0
170MDC2	170DL2	25 / 1.7		0.8	1.7	3.4	5.1	6.8	8.5	10.2	11.9	13.6	15.3	17.0
170MDC3	170DL3	25 / 1.7	3	2.0	4.0	8.0	12.0	16.0	20.0	24.0	28.0	32.0	36.0	40.0
170MDC4	170DL4	25 / 1.7	4	3.0	6.0	12.0	18.0	24.0	30.0	36.0	42.0	48.0	54.0	60.0
170MDC5	170DL5	25 / 1.7	5	4.3	8.5	17.0	25.5	34.0	42.5	51.0	59.5	68.0	76.5	85.0

Caudales Aproximados @ 60Hz

\* Válvula de inyección incluida con dosificadores clasificados de 100 psi (6.9 bar) máximo.



**NOTICE:** La información en el diagrama es para ser usada como guía. Los caudales son aproximaciones basadas en la dosificación de agua en ambiente controlado. Existen variables que afectan el caudal del dosificador. Stenner Pump Company recomienda que todos los dosificadores sean calibrados en la aplicación mediante tests analíticos para confirmar los caudales.

# MATERIALES DE CONSTRUCCION

## **Todas las carcasas**

Policarbonato

## **Tubo de bombeo**

Santoprene®, aprobado por FDA o Versilon®

## **Goma de válvula de inyección**

Santoprene®, aprobado por FDA o Pellethane®

## **Tubo de succión y descarga y casquillos**

Polietileno, aprobado por FDA

## **Filtro de succión con pesa y tapa**

PVC o Polipropileno, listado por NSF con pesa de cerámica

## **Todos los tornillos**

Acero Inoxidable

## **Tubo y conexiones de inyección**

PVC o Polipropileno, listado por NSF

## **Tuercas de Conexión de 1/4, 3/8 y Adaptador de 3/8 de pulgada**

PVC o Polipropileno, listado por NSF

## **Sujetadores del cabezal**

Polipropileno

# ACCESORIOS

- 3 Tuercas de Conexión de 1/4" o 3/8"
- 3 Casquillos con 1/4" o 6 mm *Europa*
- 1 Conexión de Inyección 25 psi (1.7 bar) máx. o  
Válvula de Inyección 100 psi (6.9 bar) máx.
- 1 Filtro con Pesa de Succión 1/4", 3/8" o 6 mm *Europa*
- 1 Rollo de 20' Pies de Tubo de Succión y Descarga  
de 1/4" o 3/8" Blanco o Negro o de 6 mm Blanco *Europa*
- 1 Tubo de Bombeo Adicional
- 2 Ajustadores Adicionales
- 1 Soporte de Montaje de Pared
- 1 Manual

\* Dosificadores de doble cabezal incluyen un set de accesorios adicional.

# INSTALACION

## INSTRUCCIONES DE SEGURIDAD ADICIONALES

**!** NOTICE: Este símbolo indica instrucciones especiales o mandatorias a seguir.

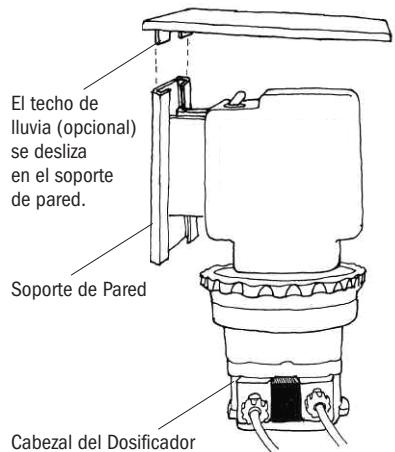
- !** Lea todas las instrucciones y advertencias de seguridad antes de instalar o reparar su dosificador. Este dosificador ha sido diseñado para ser instalado por profesionales entrenados.
- !** Asegúrese de utilizar el equipamiento protector necesario cuando se encuentre trabajando en o cerca de un dosificador de químicos.
- !** Instale el dosificador de forma que cumpla con todas las reglamentaciones y códigos de plomería y electricidad locales.
- !** Utilice el producto apropiado para el tratamiento de sistemas de agua potable. Solo use productos químicos aprobados para su uso.
- !** Instale el dosificador de manera que trabaje conjuntamente con la bomba de pozo, piscina o spa, o con el sistema controlador.
- !** Inspeccione el tubo con frecuencia para detectar pérdidas o desgaste. Programe un mantenimiento y cambio de tubo regular para evitar daños por pérdidas.
- !** Instale el dosificador verticalmente, con el cabezal hacia abajo y utilice la opción de recuperación de pérdidas para redirigir el químico al tanque en caso que hubiera una pérdida.
- !** No se recomienda la instalación del dosificador en áreas donde pérdidas puedan causar daños a la persona o la propiedad.



# INSTALACION

## MONTAJE DEL DOSIFICADOR

- ❗ **Seleccione una localidad seca (para evitar la intrusión de agua y daño al dosificador) por arriba del tanque de químico. La mejor ubicación es por encima del tanque de químico en posición vertical con el cabezal hacia abajo y el tubo de recuperación opcional de vertidos conectado, para reducir riesgo y severidad de daños si ocurre una pérdida (ver página 18 por detalles).**
  - ❗ **Para prevenir dañar el dosificador si ocurriera una pérdida, nunca monte el mismo verticalmente con el cabezal hacia arriba.**
  - ❗ **Para evitar daños producidos por gases emitidos por químicos, NO monte el dosificador directamente sobre un tanque abierto. Mantenga el tanque cerrado con tapa.**
  - ❗ **Evite la inundación de la línea de succión; no instale el dosificador por debajo del tanque de químico. Succione la solución por arriba del tanque. Si la instalación es por debajo del tanque, necesitará una válvula de cierre u otro mecanismo para detener el químico mientras repara el dosificador. El dosificador puede rotar en seco sin ocasionarle ningún daño.**
1. Use el soporte de montaje de pared como plantilla y perfore los orificios en la ubicación deseada.
  2. Asegure el soporte con sujetadores de pared y deslice el dosificador en el mismo.
- ❗ **Prevea una distancia de 20 cm de espacio por arriba de la instalación para poder invertir el dosificador y facilitar el cambio de tubo de bombeo. NO permita la intrusión de agua en el motor o se dañará el mismo.**
  - ❗ **Para evitar dañar el motor, verifique que el voltaje del enchufe y el requerido por el dosificador sea el mismo.**
3. Enchufe el cable en el receptáculo y encienda el dosificador. Si el dosificador es ajustable, gire el anillo al máximo, al número 10.
  4. Active el dosificador con su controlador (switch de presión o de flujo si es que lo tiene), y verifique que el conjunto de rodillos dentro del cabezal rote. Apague el dosificador.



# INSTALACION

## INSTRUCCIONES ADICIONALES PARA DOSIFICADORES CON SELLO DE CE (EUROPA) CUANDO SEA APLICABLE

### ADDITIONAL INSTALLATION INSTRUCTIONS

1. All Class II Pumps located in Zone 1 of swimming pool areas require locating where flooding cannot occur.
2. This pump is intended to be installed as "fixed" as opposed to portable.
3. The Rain Roof must be installed and "vertical orientation" mounting of entire unit observed.
4. After installation, the power supply plug must be accessible during use.
5. This unit must be scrapped if the supply cord is damaged.
6. Observe and comply with all National Wiring Standards.

---

### ZUSTAELICHE INSTALLIERUNGSANWEISUNGUN

1. Pumpen die sich in Zone 1 vom Schwimmbecken befinden sollen sind so einzurichten daß Ueberschwemmungen nicht vorkommen werden.
2. Diese Pumpe ist als fest montierte Ausrüstung bedacht und soll nicht umstellbar gebraucht werden.
3. Der Regendach muss installiert werden. Eine vertikale Asrichtung der Montage muß erzielt werden.
4. Die Stromversorgung muss nach der Installation noch zugänglich sein.
5. Bei beschadigter Verkabelung ist dieses Gerat nicht mehr zu gebrauchen.
6. Staatliche Vernetzungsvorchriften müssen eingehalten werden.

---

### INSTRUCTIONS SUPPLÉMENTAIRES D'INSTALLATION

1. Toutes les pompes installées dans la Zone 1 du périmètre de la piscine doivent être situées de manière à ne pas pouvoir être inondées.
2. Cette pompe est prévue pour installation fixe et non pas portative.
3. L'abri anti-pluie doit être installé et l'orientation verticale doit toujours être observée.
4. Après l'installation, la prise électrique doit rester accessible pendant l'utilisation.
5. Cette unité doit être mise au rebut si le cordon électrique est endommagé.
6. Observez et adhérez à toutes les Normes Nationales pour Installations Electriques.

---

### INSTRUCCIONES ADICIONALES PARA INSTALACION

1. Todas las bombas Clase II situadas en la Zona 1 de las áreas de la piscina requieren colocarse donde no puedan ser inundadas.
2. Esta bomba es para ser instalada "fija" en vez de portátil.
3. Es necesario instalar el techo de lluvia, y montar la unidad entera siguiendo una orientación vertical.
4. Después de la instalación el enchufe suministrador de energía debe estar accesible durante el uso.
5. Se deberá deshechar la unidad si el cordón de abastecimiento se deteriora.
6. Observe y cumpla con todas las Reglas Nacionales para Instalaciones Eléctricas.

---

### ISTRUZIONI SUPPLEMENTARI PER L'INSTALLAZIONE

1. Tutte le pompe Classe II localizzate nella Zona 1 della superficie circostante la piscina devono essere collocate dove gli allagamenti non possono accadere.
2. Questa pompa, é inteso, deve essere installata come 'fissa' e non come portatile.
3. La tettoia deve essere installata e il montaggio 'orientazione verticale' dell'intera unità deve essere osservato.
4. Dopo l'installazione, la spina deve essere accessibile durante l'uso.
5. Questa unità deve essere gettata via se il filo elettrico é danneggiato.
6. Osservare e aderire a tutte le Norme Nazionali Sugli Impianti Elettrici.

# DIAGRAMA DE INSTALACION

El techo de lluvia se desliza en el soporte de pared sin el uso de herramientas

Siempre utilice techo de lluvia para uso a la intemperie o si el dosificador está sujeto a caídas de agua.

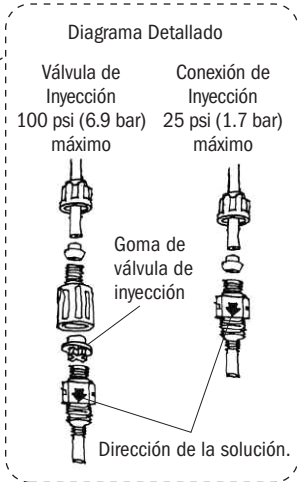
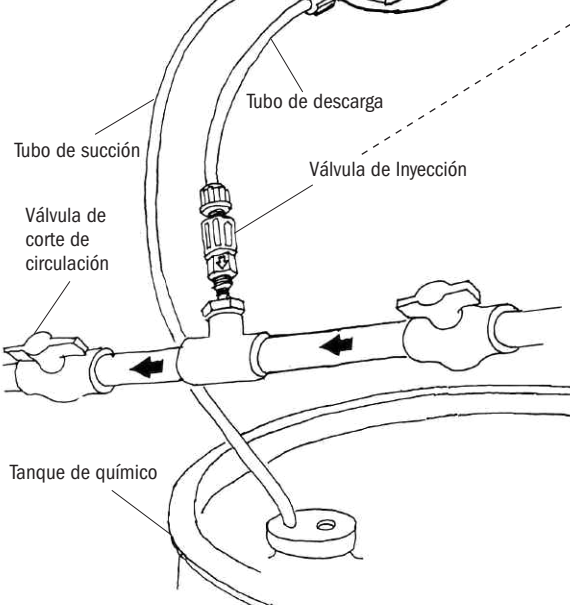
Interruptor "on/off" (debajo del techo, no se ve desde este ángulo)

Soporte de montaje de Pared (requiere dos tornillos)

Receptáculo con conexión a tierra adecuada; protegido por interruptor diferencial

Diagrama detallado

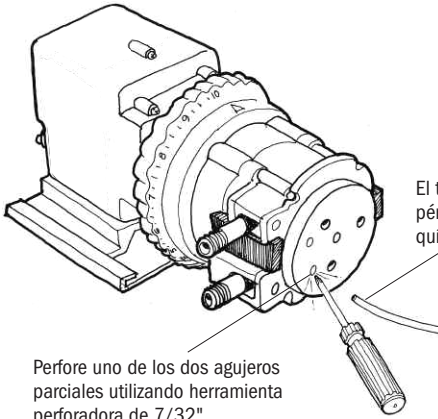
Diagrama Detallado



# INSTALACION

## RECUPERACION DE PERDIDAS

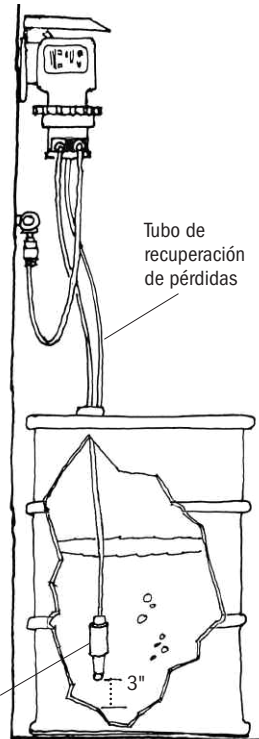
Monte el dosificador verticalmente y utilice la opción de recuperación de pérdidas para drenar el químico de regreso al tanque, en caso que ocurriera una pérdida. Esto ayuda en prevenir que el químico se deposite en el cabezal y reducirá la caída de químico en el piso. El motor del dosificador es ventilado y la intrusión de agua puede dañarlo. Se recomienda el uso de un techo de lluvia si se instala a la intemperie o en ambiente mojado.



Perfore uno de los dos agujeros parciales utilizando herramienta perforadora de 7/32".

Utilice un trozo de tubo de succión y descarga de 1/4" e inserte en la perforación.

El tubo de recuperación de pérdidas, permite que el químico regrese al tanque.



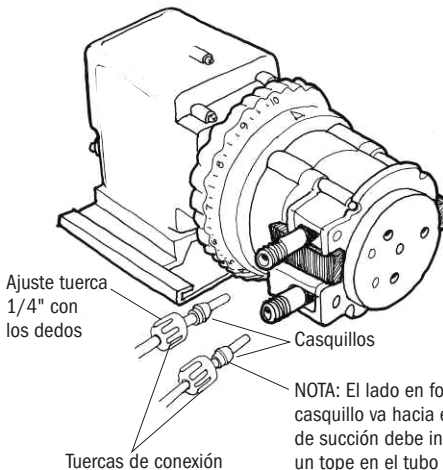
Tubo de recuperación de pérdidas

Filtro de tubo de succión con pesa

# INSTALACION

## INSTALE EL TUBO DE SUCCION AL CABEZAL DEL DOSIFICADOR

1. Desenrolle el tubo de succión y descarga. Corte la sección de tubo que necesite teniendo en cuenta que el tubo debe quedar a 7-8 cm del fondo del tanque. Mida el largo por fuera del tanque para asegurarse que el corte sea apropiado.
  - ❗ **Permita que el tubo quede algo flojo para evitar que se doble y bloquee el químico. Realice el corte de forma que no queden rebabas. Mantenimiento normal requerirá recortes adicionales.**
  - ❗ **Tubos de succión que tocan el fondo del tanque, pueden succionar sólidos y depósitos. Esto puede ocasionar un bloqueo del punto de inyección y una ruptura prematura del tubo de bombeo.**
2. Realice las conexiones deslizando casquillos y tuercas\* en el tubo de succión y descarga ya cortados. Enrosque las tuercas a los extremos correspondientes del tubo de bombeo.
3. Enrosque firmemente a mano mientras sostiene el extremo del tubo de bombeo para evitar que el mismo gire.
  - ❗ **El ajustar de más la tuerca con una herramienta, puede dañar las conexiones y romper el sello, produciendo succión de aire.**
  - ❗ **NO utilice cinta aisladora o sellante, o herramientas en las conexiones del tubo de bombeo.**



\* Si usa conexiones de 3/8", enrosque el adaptador en el extremo del tubo de bombeo (el casquillo está ya instalado dentro del adaptador). Deslice la tuerca de 3/8" en el tubo de succión y descarga y conecte la misma al otro extremo del adaptador. Si observa una pérdida, apriete gradualmente esta conexión hasta que la misma pare.

# INSTALACION

## INSTALACION DEL FILTRO CON PESA AL TUBO DE SUCCION

1. Perfore un agujero en la tapa o cubierta del tanque de químico. Deslice el tubo de succión en el mismo y conecte el filtro con pesa en el extremo.
2. Para realizar la conexión del mismo, deslice el tubo en el collar del filtro unos 9 cm y ajuste ambas piezas asegurándose que queden firmemente trancadas y el tubo no se puede deslizar.
3. Deje que el filtro con pesa cuelgue a 8 cm del fondo del tanque para evitar que succione sedimentos.



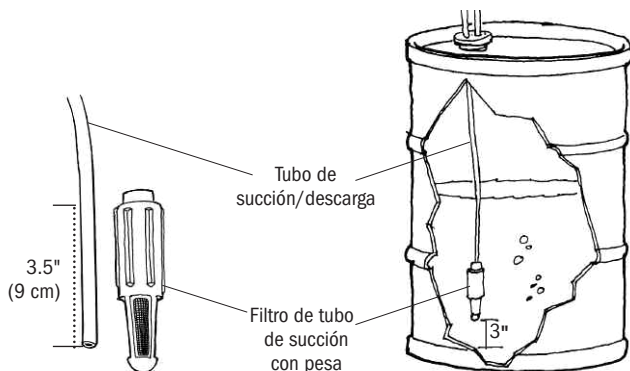
**NO mezcle químicos dentro del tanque. Siga las indicaciones del fabricante del químico.**



**NO opere el dosificador hasta asegurarse que el químico está dentro del tanque. Apague el mismo mientras que realiza los reabastecimientos.**



**NO inserte el tubo de succión hasta el fondo del filtro con pesa. Esto podría bloquearlo y evitar que el dosificador succione el químico.**



# INSTALACION

## INSTALE EL TUBO DE DESCARGA, CONECTE AL CABEZAL DEL DOSIFICADOR Y AL PUNTO DE INYECCION

1. Realice la conexión a mano del tubo de descarga al extremo del tubo de bombeo correspondiente, como se indicó previamente en la instalación de tubo de succión y descarga.

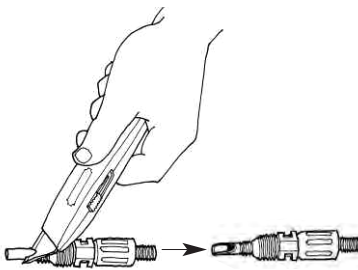
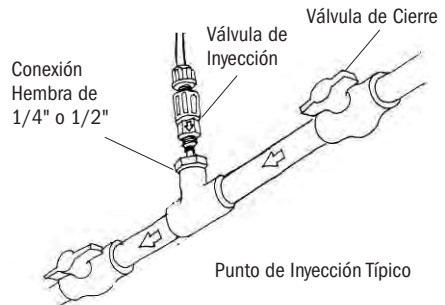
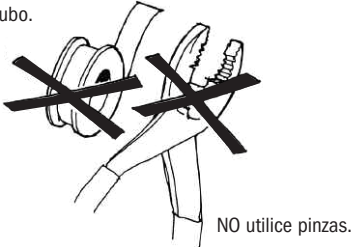
**!** NO utilice cinta aisladora/osellante o herramientas, en las conexiones del tubo de bombeo.

**!** **WARNING** PELIGRO: ALTA PRESION: Corte el agua o cierre el sistema, permitiendo la emisión de la presión existente en el mismo.

**!** Localice un punto de inyección adecuado. Si la aplicación lo permite, instale luego de filtros y otras bombas.

2. Una conexión hembra de 1/4" o 1/2" de pulgada (FNPT) es necesaria en la tubería donde se localizará el punto de inyección. Si no tiene dicha conexión, provea una perforando la tubería o instalando una en forma de "T".
3. Envuelva la punta con rosca del conector de válvula de inyección en cinta de tubería. Si es necesario, corte la extremidad del conector que se introduce en la cañería para que la inyección del químico se haga directamente en la corriente de agua.

NO utilice cinta aisladora o sellante en las conexiones del tubo.



Corte de extremidad de la válvula de inyección.

# INSTALACION

4. Enrosque a mano el conector de la válvula a la conexión hembra de 1/4" o 1/2".

## Modelos de 25 psi (1.7 bar) máximo

- a. Deslice tuerca y casquillo en el tubo de descarga. Inserte el tubo en el conector de inyección hasta llegar al tope. Si usa conexiones de 3/8", inserte el tubo de descarga en el conector de inyección 25 psi (1.7 bar) máximo o de la válvula de inyección 100 psi (6.9 bar) máximo. Ajuste tuerca de 3/8" gradualmente hasta que quede sellada y no se produzcan pérdidas.
- b. Enrosque a mano la tuerca de conexión.

## Modelos de 100 psi (6.9 bar) máximo

- a. Antes de realizar la instalación, chequee que no haya pérdidas en las conexiones realizadas en la tubería. Si es necesario, apriete la misma 1/4" de giro más. Si usa conexiones de 3/8", inserte el tubo de descarga en el conector de inyección 25 psi (1.7 bar) máximo o de la válvula de inyección 100 psi (6.9 bar) máximo. Ajuste tuerca de 3/8" gradualmente hasta que quede sellada y no se produzcan pérdidas.
- b. Deslice tuerca y casquillo en el tubo de descarga. Inserte el tubo en el conector de la válvula hasta llegar al tope.
- c. Enrosque a mano la tuerca de conexión.

5. Encienda el dosificador y observe su funcionamiento y todas las conexiones, asegurándose que no hayan pérdidas.
6. Luego de un tiempo de dosificación adecuado, realice tests para comprobar que está obteniendo los niveles de químicos deseados (por ej: pH o ppm). Si es necesario, realice ajustes girando el anillo de control de dosificación (si el dosificador es de caudal ajustable) o variando la concentración del químico.



**El punto de inyección y conexiones requieren limpieza regular para evitar la acumulación de depósitos. Para facilitar dicho mantenimiento, Stenner recomienda la instalación de llaves de paso.**



# GUIA RAPIDA DE REPARACION DE AVERIAS – MOTOR



**WARNING**

**PELIGRO DE SHOCK ELECTRICO**

**DESENCHUFE** el cable eléctrico antes de remover la cubierta del motor para repararlo.

**Reparaciones deben ser hechas por personal entrenado.**

PROBLEMA	POSIBLE CAUSA	SOLUCION
El motor es excesivamente ruidoso	Cojinete de bolas desgastado Insuficiente lubricación Engranajes o postes gastados	Cambie el montaje de cojinete del motor Lubrique los engranajes y postes de engranajes con Aquashield™ Inspeccione y cambie engranajes y/o postes
Motor no prende, el ventilador no gira	El suministro de energía está fallado Rotor trancado en la bobina La bobina del motor está dañada Cojinetes de bola desgastados El cable eléctrico está dañado Rotor oxidado Conexiones del cable dañadas Ventilador está obstruido	Chequee el circuito de suministro de energía Chequee los soportes y cámbielos si es necesario Cambie la bobina Cambie el montaje de rotor y cojinetes Inspeccione/cambie el cable eléctrico Limpie o cambie si es necesario Inspeccione/cambie conexiones o cable Inspeccione y remueva la obstrucción
Motor prende, ventilador gira pero el eje no	Engranajes dañados	Inspeccione y cambie el engranaje dañado
Motor se re-calienta y se prende y apaga	Voltaje es incorrecto Temperatura de ambiente muy alta Bobina dañada o funcionando incorrectamente	Chequee que el voltaje y la frecuencia sean los indicados en la etiqueta del dosificador. Instale el dosificador en un ambiente de temp menor a 51 °C Cambie la bobina
Engranaje fenólico se barre	Intrusión de agua Soportes de plástico de rotor quebrados Postes de engranajes gastados Engranaje hélico de la extremidad del rotor gastado Cubierta de carcasa de engranaje gastada Lubricación insuficiente	Utilice el techo de lluvia y cambie el engranaje fenólico Cambie los soportes y el engranaje fenólico Cambie los postes y el engranaje fenólico Limpie y lustre el rotor o cámbielo, cambie el engranaje fenólico Cambie la cubierta Lubrique con grasa Aquashield™

# GUIA RAPIDA DE REPARACION DE AVERIAS – CONTROLADOR DE CAUDAL

PROBLEMA	POSIBLE CAUSA	SOLUCION
Anillo regulador no gira	Leva variable trancada	Lubrique con Aquashield™ la leva y ranura de la leva del controlador de caudal
	Cuadrante/anillo trancado	Limpie y lubrique el cuadrante/anillo
Anillo gira, caudal no cambia	Leva se ha separado del cuadrante	Inserte la punta en ángulo recto en el orificio del anillo
	Leva variable está dañada	Cambie la leva variable
Rodillos del cabezal no rotan	Plato indicador desgastado	Utilice el otro lado del plato o cámbielo por uno nuevo
	Problema del motor	Refiérase a la sección del motor
	Conjunto de rodillos está barrido	Cambie el conjunto de rodillos
	Sujetador de clavija flojo	Ajuste el mismo enroscándolo firmemente
	Clavija de indicación rota	Cambie el conjunto de clavija y levantador de indicación
Rodillos en el cabezal rotan continuamente	Leva variable instalada incorrectamente	Cambie o vuelva a instalar la leva variable
Funcionamiento errático del controlador	Plato indicador desgastado	Utilice el otro lado del plato o cámbielo por uno nuevo
	Leva variable desgastada	Cambie la leva variable
	Levantador de clavija desgastado	Cambie el levantador o conjunto de clavija de indicación

# GUIA RAPIDA DE REPARACION DE AVERIAS – CABEZAL

PROBLEMA	POSIBLE CAUSA	SOLUCION
Componentes están quebrados	Daño químico	Verifique compatibilidad del químico
Pérdida en el cabezal	Rotura del tubo de bombeo	Cambie tubo y casquillos; centre el tubo
Conjunto de rodillos rotan, no hay descarga de químico	El tanque de químico está vacío Filtro con pesa de succión no llega al químico Pérdida en el tubo de succión Casquillos instalados incorrectamente, dañados o faltantes Punto de inyección bloqueado Tubo de succión y/o descarga y/o válvula de inyección bloqueados Vida útil del tubo de bombeo agotada Tubo de succión toca el fondo del filtro con pesa	Reabastezca el tanque con químico Coloque el mismo a 5-7 cm del fondo del tanque Inspeccione y cambie el tubo de succión Cambie o reinstale los casquillos Limpie el punto de inyección Limpie y/o cambie si es necesario Cambie tubo y casquillos; centre el tubo Jale el tubo de succión 2 cm; corte el extremo del tubo de succión en ángulo
Conjunto de rodillos rotan, bajo nivel de dosificación	Tubo de bombeo desgastado Rodillos dañados o faltantes  Punto de inyección restringido Tamaño de tubo erróneo Presión de inyección excesiva	Cambie el tubo de bombeo Instale nuevos rodillos o un nuevo conjunto de rodillos  Inspeccione y limpie el punto de inyección Cambie el tubo por el correcto Confirme la presión del sistema y la del tubo; cambie el tubo si es necesario
Conjunto de rodillos no rotan y no hay descarga	Conjunto de rodillos barrido Problema con el controlador de caudal Problema con el motor	Cambie el conjunto de rodillos. Refiérase a la sección del controlador de caudal Refiérase a la sección del motor
Nivel de descarga muy alto	Tubo de bombeo o posición de controlador incorrecto Conjunto de rodillos dañados Controlador de caudal dañado  Modelo de motor incorrecto	Cambie el tubo por el correcto, reajuste el controlador Cambie el conjunto de rodillos Refiérase a la sección de controlador de caudal Cambie por el motor correcto







# GUIA RAPIDA DE REPARACION DE AVERIAS – TUBO DE BOMBEO

**!** **NOTICE:** Un tubo de bombeo con pérdida causa daño al dosificador. Inspeccione el mismo con frecuencia por pérdidas y desgaste. Refiérase a la sección de reemplazo de tubos por indicaciones y precauciones adicionales.


PROBLEMA	POSIBLE CAUSA	SOLUCION
Pérdida en el tubo de bombeo	<p>Tubo de bombeo roto</p> <p>Depósito de minerales o calcio</p> <p>Presión de inyección excesiva</p> <p>Tubo está retorcido en sí mismo</p> <p>El tubo de bombeo no está centrado</p>	<p>Cambie tubo y casquillos; centre el tubo</p> <p>Limpe punto de inyección, cambie tubo y casquillos; centre el tubo</p> <p>Confirme la presión del sistema y la del tubo; cambie el tubo si es necesario</p> <p>Cambie tubo y casquillos; centre el tubo</p> <p>Cambie tubo y casquillos; centre el tubo</p>
La vida útil del tubo ha disminuído	<p>Daño químico</p> <p>Depósito de minerales en el punto de inyección</p> <p>Sedimento en la válvula de inyección</p> <p>Goma de válvula de inyección gastada</p> <p>Goma de válvula de inyección instalada al revés</p> <p>Tubo de bombeo estirado o pellizcado durante la instalación</p> <p>Rodillos no giran en su eje, causan desgaste del tubo</p> <p>Exposición al sol o altas temperaturas</p>	<p>Verifique compatibilidad del químico con el tubo</p> <p>Limpe el punto de inyección y cambie el tubo de bombeo</p> <p>Limpe el conector de la válvula. Coloque el tubo de succión 5-7 cm del fondo del tanque. Use filtro de succión.</p> <p>Cambie la goma de válvula con cada cambio de tubo</p> <p>Reinstale la goma asegurándose que esté orientada en la dirección correcta</p> <p>Vea instrucciones de instalación. Permita que la rotación del conjunto de rodillos estire el tubo</p> <p>Limpe el conjunto de rodillos o cambie si es necesario</p> <p>No exponga los tubos a altas temperaturas o al sol</p>
Conexiones del tubo con pérdidas	<p>Casquillo faltante en tubos de succión y descarga de 1/4" o 6 mm</p> <p>Casquillo aplastado</p> <p>Casquillo instalado al revés</p> <p>Tuerca de 3/8 floja</p> <p>Casquillo de 3/8 del adaptador faltante</p>	<p>Cambie/instale el casquillo</p> <p>Cambie/instale el casquillo</p> <p>Instale el casquillo correctamente</p> <p>Sujete el adaptador y ajuste la tuerca de 3/8</p> <p>Cambie el adaptador o inserte un casquillo en el mismo</p>

# CAMBIO DE TUBOS – INSTRUCCIONES DE SEGURIDAD



## **WARNING** RIESGO DE CONTACTO QUIMICO

-  Para reducir el riesgo de exposición a químicos, chequee el tubo de bombeo regularmente por pérdidas. A la primera señal de pérdida, cambie el tubo de bombeo.
-  Para reducir el riesgo de exposición a químicos, es mandatorio el uso de un equipo protector apropiado cuando esté trabajando con el dosificador.
-  Para reducir el riesgo de exposición a químicos, bombee una cantidad generosa de agua o solución neutral para remover químicos, antes de reparar el dosificador.
-  Consulte al fabricante de químico o la página de MSDS del químico por información adicional y precauciones adicionales referentes al químico en uso.
-  El personal debe ser experto y estar entrenado en el método apropiado de seguridad con respecto a los químicos en uso.
-  Inspeccione el tubo con frecuencia para detectar pérdidas o desgaste. Programe un mantenimiento y cambio de tubo regular para evitar daños por pérdidas.






## **CAUTION** RIESGO DE PELLIZCO

-  Use cautela cuando cambie el tubo de bombeo. Tenga cuidado que sus dedos no sean pellizcados por los rodillos, manténgalos alejados de los mismos cuando el cabezal esté girando.

## **WARNING** NIVEL DE PRESION PELIGROSA, PELIGRO DE CONTACTO CON QUIMICOS

-  Use cautela y purgue toda la presión que haya en el sistema antes de comenzar reparaciones.
-  Use cautela al desconectar el tubo de descarga de la bomba. Puede tener presión y contener químicos.

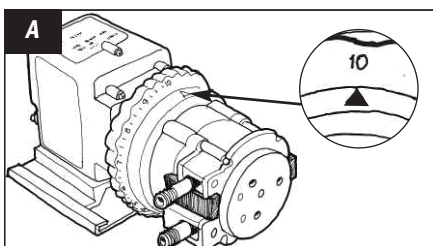
## **NOTICE: Este símbolo indica instrucciones especiales o mandatorias a seguir.**

-  **NO** aplique aceite o lubricantes al tubo de bombeo o carcasa.
-  Antes de cambiar el tubo, inspeccione por completo el cabezal del dosificador por cualquier ruptura o rajadura. Asegúrese que los rodillos giran libremente.
-  Enjuague todo residuo de químico del cabezal antes de instalar el tubo nuevo. Aplique *grasa Aquashield™* al eje principal y al buje de la cubierta de la carcasa de tubo solamente.
-  **DO DEBE** tirar del tubo de bombeo de forma excesiva. Evite retorcer o dañar el tubo durante la instalación.
-  Inspeccione el tubo de succión y descarga, el punto de inyección (en la tubería) y la goma de válvula de retención cada vez que cambie los tubos. Limpie o cambie si es necesario.

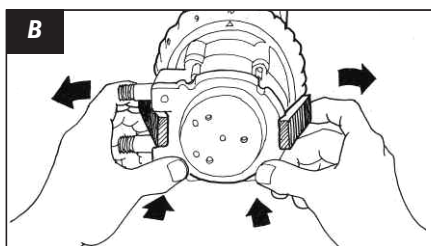
# EXTRACCION DE TUBO

## Pasos Básicos Ilustrados

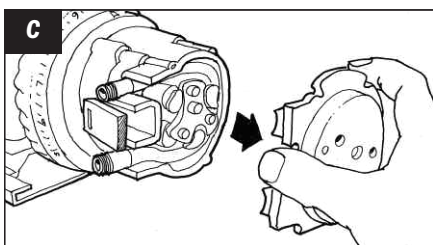
**NOTICE:** Haga referencia a las instrucciones escritas para obtener detalles completos.



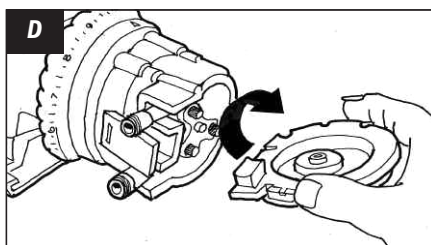
**Modelos de caudal ajustable deben tener el anillo del caudal en 10**



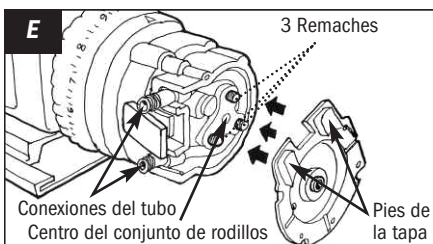
**Abra los sujetadores**



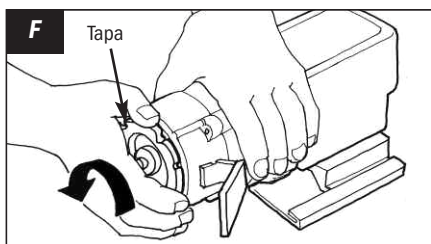
**Remueva la tapa**



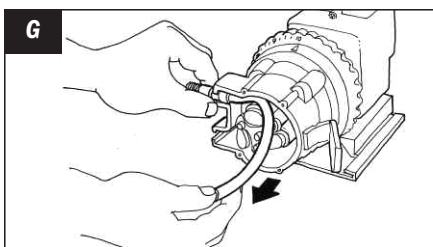
**De vuelta la tapa**



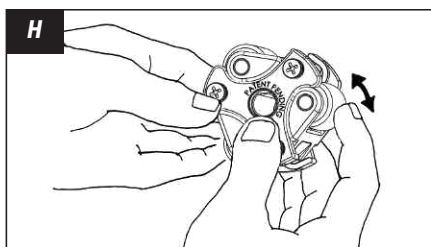
**Alinee las aberturas de los tubos de la tapa cerca de las conexiones de los tubos**



**Contraiga el conjunto de rodillos**



**Remueva el tubo**

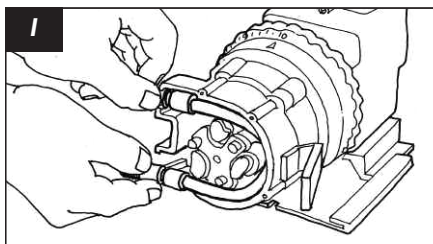


**Inspeccione los rodillos**

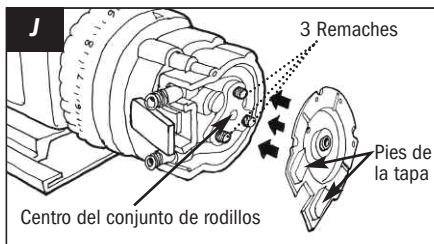
# INSTALACION Y CENTRADO DE TUBO

## Pasos Básicos Ilustrados

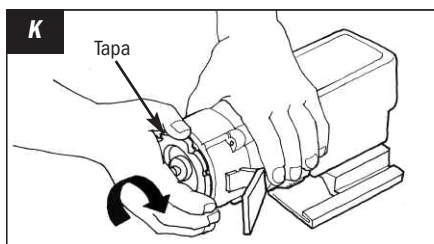
**NOTICE:** Haga referencia a las instrucciones escritas para obtener detalles completos.



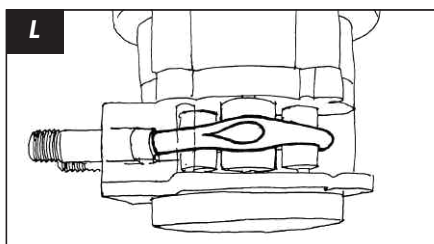
**I** Instale el tubo nuevo



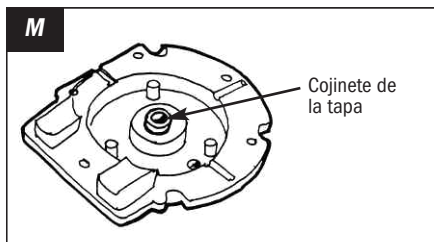
**J** Alinee la tapa del cabezal como se muestra



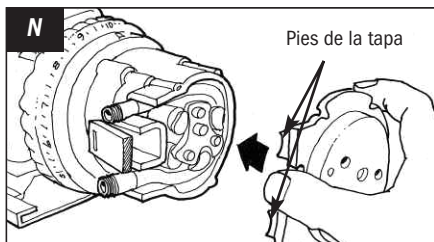
**K** Expanda el conjunto de rodillos



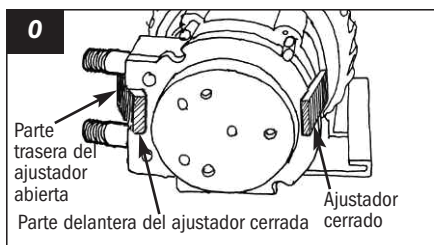
**L** Confirme el conjunto de rodillos está expandido



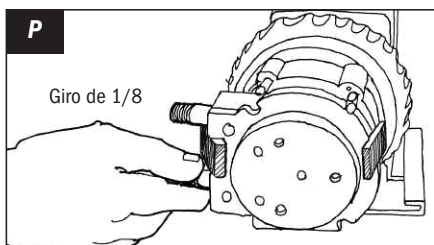
**M** Aplique grasa al cojinete de la tapa



**N** Instale la tapa empezando por las aberturas de los tubos



**O** Prepare el centrado del tubo



**P** Centre el tubo

# CAMBIO DE TUBO – DOSIFICADORES DE UN CABEZAL

## Dosificadores de Caudal Ajustable y Fijo

### Preparación

---

1. Siga todas las precauciones de seguridad antes de cambiar el tubo.
2. Antes de realizar el servicio, bombee una cantidad generosa de agua o solución neutral para limpiar todo residuo químico y evitar el contacto.

### Quite el tubo de bombeo

---

1. Apague el dosificador y desenchufe. En los modelos de caudal ajustable, verifique que el anillo de caudal esté ubicado en el 10. *Ilustración A, p.28*
2. Remueva la presión y desconecte los tubos de succión y descarga.
3. Abra los ajustadores de ambos lados del cabezal. Doble los ajustadores hacia atrás con cuidado, para prevenir contacto con la tapa. *Ilustración B, p.28*  
*Dosificadores CE solamente: Remueva el tornillo de seguridad de la tapa.*
4. Remueva la tapa del cabezal y voltéela para usarla como herramienta en el próximo paso. *Ilustración C & D, p.28*
5. Alinee el centro de la tapa volteada con el centro del conjunto de rodillos de manera que los tres agujeros en la tapa queden alineados con los tres remaches en relieve del conjunto de rodillos. Posicione las aberturas de tubos de la tapa cerca de las conexiones de los tubos. *Ilustración E, p.28*  
NOTA: El conjunto de rodillos debe estar contraído para poder remover el tubo.
6. En dosificadores de caudal ajustable; sostenga el controlador de caudal firmemente. En los dosificadores de caudal fijo, sostenga el motor. Usando la tapa como herramienta, gire la misma rápidamente (con un movimiento corto y veloz) contra reloj, para contraer el conjunto de rodillos. *Ilustración F, p.28*
7. Remueva y descarte el tubo. *Ilustración G, p.28*
8. Remueva el conjunto de rodillos y la carcasa del cabezal. En los dosificadores ajustables, también remueva el eje y coloque todo a su costado para reinstalar más adelante.
9. Utilice un limpiador multiuso no-cítrico para limpiar los residuos de químicos del cabezal, rodillos y tapa.
10. Revise la carcasa, tapa y conjunto de rodillos por quebraduras y cámbielos si es necesario.
11. Asegúrese que los rodillos giren libremente. Cambie el conjunto de rodillos si los mismos están trancados o desgastados, o si hay una reducción de caudal. *Ilustración H, p.28*
12. Reinstale la carcasa limpia. En dosificadores ajustables, dentro del controlador de caudal.
13. Aplique grasa a la punta del eje.
14. Instale el conjunto de rodillos.



# CAMBIO DE TUBO – DOSIFICADORES DE UN CABEZAL

## Dosificadores de Caudal Ajustable y Fijo

Instale el tubo y expanda el conjunto de rodillos

---

**IMPORTANTE! NO LUBRIQUE EL TUBO DE BOMBEO O EL CONJUNTO DE RODILLOS.**

1. Asegúrese que el dosificador no esté conectado. En los modelos de caudal ajustable, verifique que el anillo de caudal esté ubicado en el 10. *Ilustración A, p.28*
2. Coloque el tubo nuevo en el cabezal. Utilice sus dedos para centrarlo en los rodillos. *Ilustración I, p.29*
3. Coloque la tapa del cabezal y cierre los sujetadores en ambos lados. Confirme la tapa esté colocada en el eje y asentada en la carcasa antes de cerrar los sujetadores.
4. Con la tapa instalada, enchufe y prenda el dosificador. Manténgalo prendido, con el conjunto de rodillos contraídos, por dos minutos, para relajar el tubo.
5. Apague el dosificador y desenchufe.
6. Remueva la tapa y voltéela para usar como herramienta en el próximo paso. *Ilustración C & D, p.28*
7. Alinee el centro de la tapa volteada con el centro del conjunto de rodillos de manera que los tres agujeros en la tapa queden alineados con los tres remaches en relieve del conjunto de rodillos. Posicione las aberturas de tubos de la tapa cerca de las conexiones de los tubos. *Ilustración J, p.29*

NOTA: El conjunto de rodillos debe estar expandido para presionar el tubo contra las paredes del cabezal.

# CAMBIO DE TUBO – DOSIFICADORES DE UN CABEZAL

## Dosificadores de Caudal Ajustable y Fijo

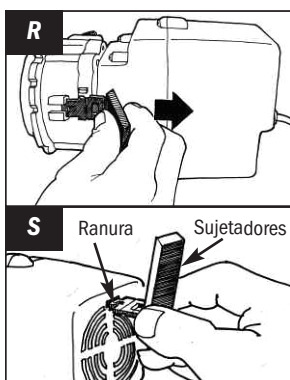
8. Expanda el conjunto de rodillos.

### Modelos de Caudal Ajustable

- Sujete el controlador de caudal, use la tapa como herramienta y gire la misma de forma rápida (con un movimiento corto y veloz), en dirección del reloj, para expandir los rodillos. El tubo estará presionado contra las paredes del cabezal. *Ilustración K & L, p.29.* Proceda al paso **9**.

### Modelos de Caudal Fijo (ventilador de motor con ranura especial, fabricado después del 29 de Abril del 2011)

- a. Deslice un sujetador de la carcasa del cabezal. Inserte el extremo deslizado en la



ranura de la parte trasera del motor. Mientras mantiene el sujetador en la ranura, gire la tapa suavemente en dirección del reloj hasta que se detenga. *Ilustración R & S*

- b. Sostenga el motor con firmeza y gire la tapa de forma rápida (con un movimiento corto y veloz), en dirección del reloj, para expandir los rodillos. El tubo estará presionado contra las paredes del cabezal. *Ilustración K & L, p.29*

- c. Remueva el sujetador de la ranura del motor y reinstale en su lugar, en la carcasa del cabezal. Proceda al paso **9**.

9. Aplique una pequeña cantidad de grasa al cojinete de la tapa del cabezal **SOLAMENTE**. NO lubrique el tubo de bombeo. *Ilustración M, p.29*
10. Reinstale la tapa del cabezal, cierre los sujetadores de ambos lados del cabezal. Confirme la tapa esté colocada en el eje y asentada en la carcasa antes de cerrar los sujetadores. *Ilustración N, p.29*

# CAMBIO DE TUBO – DOSIFICADORES DE UN CABEZAL

## Dosificadores de Caudal Ajustable y Fijo

### Centre el Tubo

---

1. Asegúrese el dosificador está apagado. Levante la parte trasera del sujetador que se encuentra entre las conexiones de tubos, dejando la parte delantera del mismo enganchada en el labio de la carcasa. Deje el otro sujetador completamente cerrado.  
*Ilustración O, p.29*
2. Enchufe el dosificador y enciéndalo. Gire la conexión de tubo del lado de succión hacia donde deba moverse (no más de 1/8 de giro). *Ilustración P, p.29*
3. NO suelte la conexión hasta que el tubo se encuentre centrado sobre los rodillos.
4. Apague el dosificador, suelte la conexión y cierre el sujetador colocado entre las conexiones.  
*Dosificadores CE solamente: Reinstale el tornillo de seguridad en la tapa.*
5. Inspeccione los tubos de succión y descarga, el punto de inyección y la válvula de inyección por si hay algún bloqueo. Limpie todos los depósitos y/o reemplace la parte si es necesario. El no hacerlo puede ocasionar un bajo rendimiento del dosificador y vida útil del tubo acortada.
6. Reconecte los tubos de succión y descarga. NO permita que las conexiones de tubo giren dentro del cabezal.
7. Prenda el dosificador por dos minutos para verificar su funcionamiento.

# LIMPIEZA DEL PUNTO DE INYECCIÓN – INSTRUCCIONES DE SEGURIDAD

**NOTICE:** Este símbolo indica instrucciones especiales o mandatorias a seguir.

Modelos de 25 psi (1.7 bar) máximo son instalados utilizando una conexión de inyección; modelos de 100 psi (6.9 bar) máximo son instalados con una válvula de inyección. Ambos permiten que la punta del conector de inyección se instale en el medio de la tubería, directamente en el flujo de agua; esto asiste en la reducción de la acumulación de depósitos.

**WARNING** Este símbolo le advierte de potencial peligro que puede ocasionarle muerte o serios daños a su persona o propiedad si lo ignora.

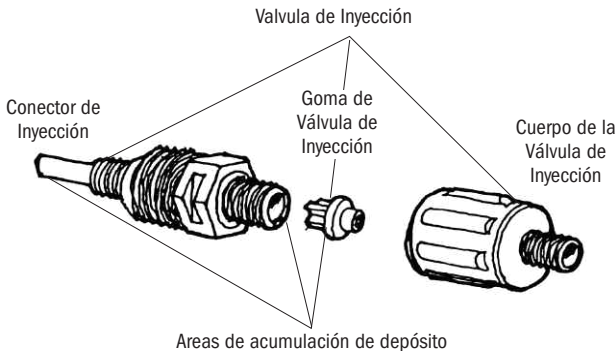
Este es el símbolo de alerta. Cuando lo vea en este manual o en el equipo; busque la palabra que lo acompañe que lo advertirán de un potencial daño a su persona o propiedad.

**WARNING** PRESION PELIGROSA/RIESGO DE CONTACTO QUIMICO

Utilice cautela y purgue toda la presión del sistema antes de realizar alguna instalación o reparación.

Utilice cautela al desconectar el tubo de descarga del dosificador. El tubo de descarga puede contener presión o químicos.

Para reducir el riesgo a exposición a químicos, es mandatorio el uso de un equipo personal de protección, mientras trabaje en el dosificador o cerca del mismo.



# LIMPIEZA DEL PUNTO DE INYECCION

1. Apague el dosificador y desenchufe el cable eléctrico. Inhabilite la bomba de agua u otro equipo auxiliar.
2. Purgue la presión del sistema y del tubo de descarga.
3. Quite la tuerca y casquillo de la válvula o conexión de inyección para desconectar el tubo de descarga.

**Modelos de 6.9 bar máximo, complete pasos en 4.**

**Modelos de 1.7 bar máximo, diríjase a paso 5.**

4. · Destornille el cuerpo de la válvula de inyección y sepárelo. El conector (pieza con la flecha) debe permanecer atornillado a la tubería.
  - Quite la goma instalada en el cuerpo de la válvula de inyección y reemplace con una nueva.
  - Examine el anillo de goma en el conector de inyección y replácelo si está deteriorado o roto.
5. Inserte un destornillador Phillips No.2 dentro del conector de inyección enroscado en la tubería, para romper cualquier tipo de bloqueo o sedimento que pueda haber en el mismo. Si no puede insertar destornillador, utilice un taladro con cuidado de no romper la tubería.



Limpie acumulación de sedimentos con un destornillador phillips #2.



Cambie la Goma de Retención

Inspecciones y limpiezas periódicas del punto de inyección mantendrán al dosificador funcionando correctamente y extenderá la vida útil del tubo de bombeo.

# LIMPIEZA DEL PUNTO DE INYECCION

6. Reemplace el tubo de descarga si el mismo está roto o desgastado. Si la punta está tapada, corte la misma.

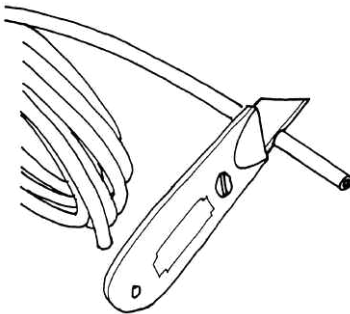
7. **Dosificadores de 6.9 bar presión máxima**

- a. Ensamble nuevamente la válvula de inyección.
- b. Reemplace el casquillo y reinstale el tubo de descarga a la válvula introduciendo el mismo hasta encontrar el tope (3/4 de pulgada).

**Dosificadores de 1.7 bar presión máxima**

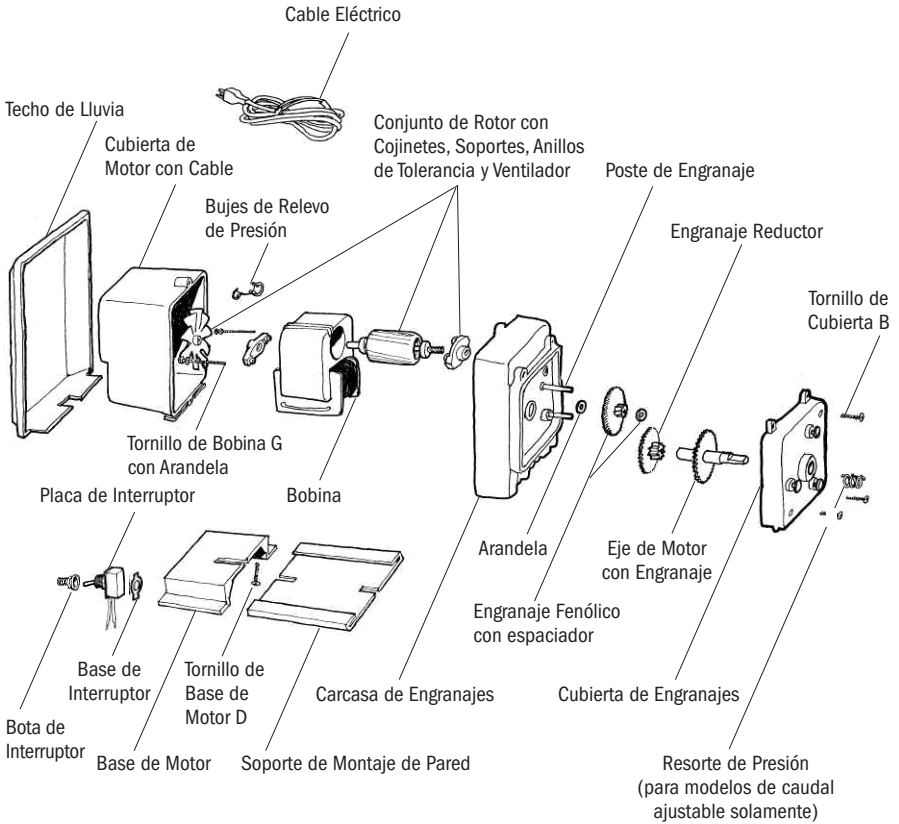
Reemplace el casquillo y reinstale el tubo de descarga al accesorio de inyección introduciendo el mismo hasta encontrar el tope (3/4 de pulgada).

8. Ajuste la tuerca con sus dedos.
9. Habilite el suministro eléctrico de la bomba de agua y presurice el sistema.  
NOTA: El conjunto de rodillos debe estar expandido de forma que el tubo quede presionado contra la pared del cabezal.
10. Prenda el dosificador y chequee por posibles pérdidas en todas las conexiones.



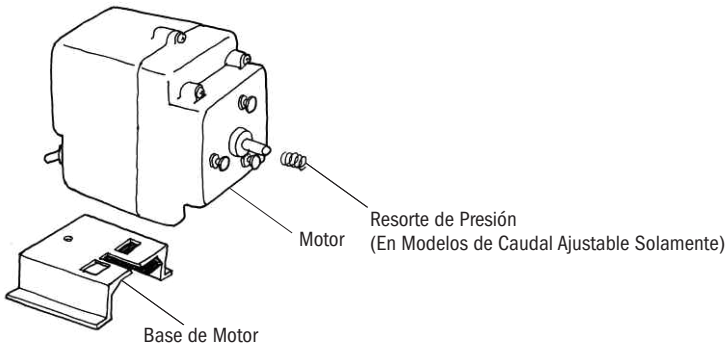
Corte la sección del tubo bloqueada o calcificada.

# DIAGRAMA DETALLADO DEL MOTOR



Contacte la fábrica por números de partes.

# MOTOR 60Hz

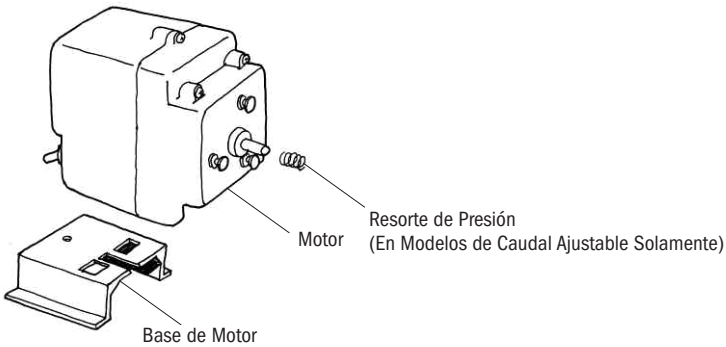


## MOTOR 60Hz

DESCRIPCION	FUNCIONA CON	NO. DE PARTE	UM
120V	Serie Clásica 45, 100, caudal ajustable	PM6041D	CU
220V		PM6042D	CU
120V	Serie Clásica 85, 170, caudal ajustable	PM6081D	CU
220V		PM6082D	CU
120V	Serie Clásica 45, caudal fijo	ME6041D	CU
220V		ME6042D	CU
120V	Serie Clásica 85, caudal fijo	ME6081D	CU
220V		ME6082D	CU
120V	Serie Clásica 100, caudal fijo	DM6041D	CU
220V		DM6042D	CU
120V	Serie Clásica 170, caudal fijo	DM6081D	CU
220V		DM6082D	CU



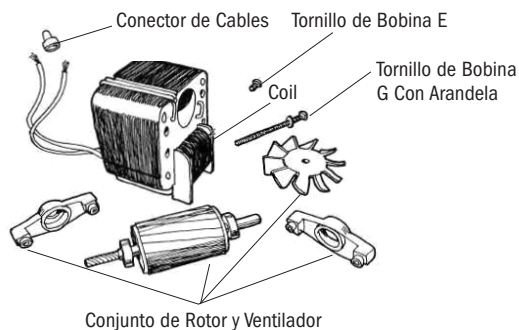
# MOTOR 50Hz *Internacional*



## MOTOR 50Hz *Internacional*

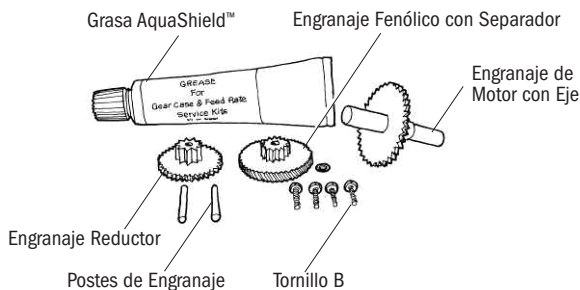
DESCRIPCION	FUNCIONA CON	NO. DE PARTE	UM
230V	Serie Clásica 45, 100, caudal ajustable	PM64230	CU
250V		PM6426D	CU
230V	Serie Clásica 85, 170, caudal ajustable	PM68230	CU
250V		PM6826D	CU
230V	Serie Clásica 45, caudal fijo	ME64230	CU
250V		ME6426D	CU
230V	Serie Clásica 85, caudal fijo	ME68230	CU
250V		ME6826D	CU
230V	Serie Clásica 100, caudal fijo	DM64230	CU
250V		DM64250	CU
230V	Serie Clásica 170, caudal fijo	DM68230	CU
250V		DM68250	CU

# KITS DE SERVICIO DEL MOTOR



## KIT DE SERVICIO DEL MOTOR 60Hz

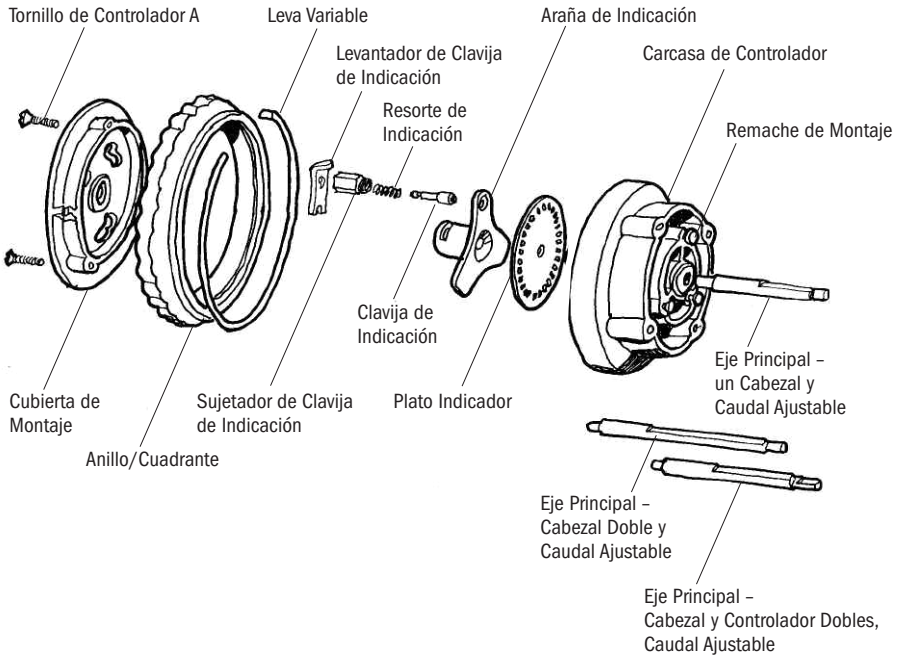
DESCRIPCION	NO. DE PARTE	UM
120V	MSK120	KIT
220V	MSK220	KIT



## KIT DE SERVICIO DE ENGRANAJES

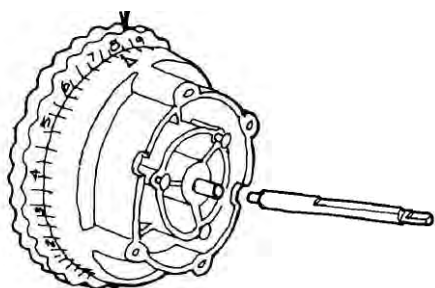
FUNCIONA CON	NO. DE PARTE	UM
Serie Clásica 45, 100, caudal ajustable	GSK45A	KIT
Serie Clásica 85, 170, caudal ajustable	GSK85A	KIT
Serie Clásica 45, caudal fijo	GSK45F	KIT
Serie Clásica 85, caudal fijo	GSK85F	KIT

# DIAGRAMA DETALLADO DEL CONTROLADOR DE CAUDAL



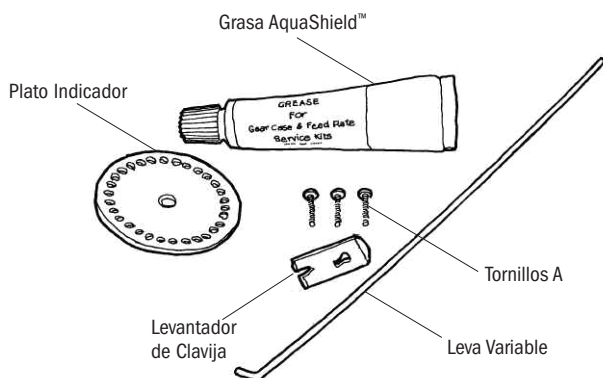
Contacte la fábrica por números de partes.

# CONTROLADOR DE CAUDAL Y KIT DE SERVICIO



## CONTROLADORES DE CAUDAL CON EJE

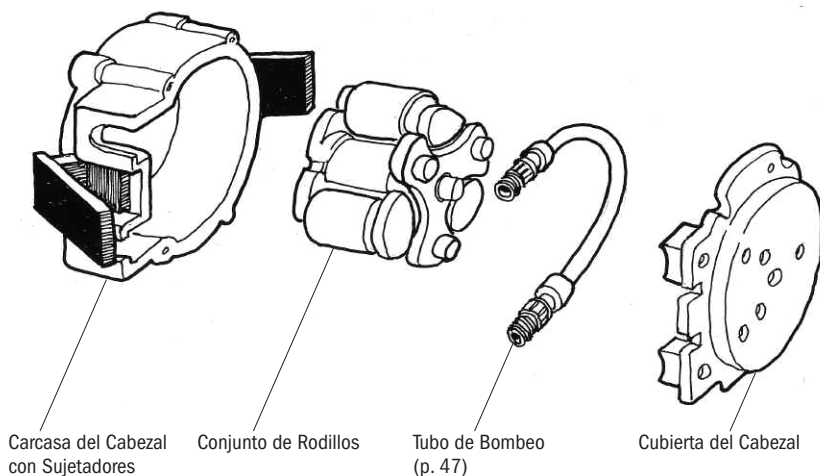
FUNCIONA CON	NO. DE PARTE	UM
Serie Clásica 45 y 85, caudal ajustable	FC5040D	CU
Serie Clásica 100 y 170, caudal ajustable	DM5040D	CU
Serie Clásica 100 y 170 de doble controlador	DM504DC	CU



## KIT DE SERVICIO DEL CONTROLADOR DE CAUDAL

FUNCIONA CON	NO. DE PARTE	UM
Serie Clásica 45, 85, 100, 170, caudal ajustable	FSK100	KIT

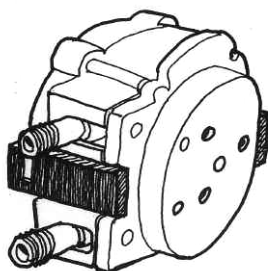
# DIAGRAMA DETALLADO DEL CABEZAL DEL DOSIFICADOR



## PARTES DEL CABEZAL DEL DOSIFICADOR

DESCRIPCION	NO. DE PARTE	UM
Carcasa del Cabezal con Sujetadores	QP400-1	CU
	QP400-2	PK de 2
Sujetadores	QP401-2	PK de 2
Conjunto de Rodillos	QP500-1	CU
	QP500-4	PK de 4
Conjunto de Brazo de Rodillos con brazos, cojinetes, rodillos y tornillos	QP500-3	CU
Cubierta del Cabezal con cojinete	QP100-1	CU
	QP100-4	PK de 4

# CABEZAL DEL DOSIFICADOR



## Indice de Presión de Tubo\*

**25 psi (1.7 bar) máximo:** # 1, 2, 3, 4, 5

**100 psi (6.9 bar) máximo:** # 1, 2, 7 requiere válvula de inyección

\* Refiérase al diagrama de caudales para la selección de número de parte y tubo de bombeo.

DESCRIPCION	NO. DE PARTE	UM
Incluye tubo de Santoprene® y casquillos de 1/4" <i>seleccione no. de tubo 1, 2, 3, 4 o 5 y complete el no. de parte</i>	QP25__-1	CU
	QP25__-2	PK de 2
Incluye tubo de Santoprene®, casquillos de 1/4" y goma de válvula de inyección <i>seleccione no. de tubo 1, 2 o 7 y complete el no. de parte</i> <i>#7 no es para serie Clásica 100 y 170</i>	QP10__-1	CU
Incluye tubo de Versilon® y casquillos de 1/4" <i>seleccione no. de tubo 1, 2, 3, 4 o 5 y complete el no. de parte</i>	QP25T__-1	CU
Incluye tubo de Versilon®, casquillos de 1/4", y goma de válvula de Pellethane® <i>seleccione no. de tubo 1 o 2 y complete el no. de parte</i>	QP10T__-1	CU

## EUROPA

Incluye tubo de Santoprene® y casquillos de 6 mm <i>seleccione no. de tubo 1, 2, 3, 4 o 5 y complete el no. de parte</i>	QP17__-1	CU
	QP17__-2	PK de 2
Incluye tubo de Santoprene®, casquillos de 6 mm y goma de válvula de inyección <i>seleccione no. de tubo 1, 2, o 7 y complete el no. de parte</i> <i>#7 no es para serie Clásica 100 y 170</i>	QP69__-1	CU
Incluye tubo de Versilon® y casquillos de 6 mm <i>seleccione no. de tubo 1, 2, 3, 4 o 5 y complete el no. de parte</i>	QP17T__-1	CU
Incluye tubo de Versilon®, casquillos de 6 mm, y goma de válvula de Pellethane® <i>seleccione no. de tubo 1 o 2 y complete el no. de parte</i>	QP69T__-1	CU

NOTA: Verifique la compatibilidad química utilizando la tabla de compatibilidad en nuestro catálogo.

# KITS DE SERVICIO DEL CABEZAL

## 25 psi (1.7 bar) Máximo



Conjunto de Rodillos



Sujetadores



Casquillos 1/4" o  
6 mm para Europa



Tuercas de Conexión



Tubo de Bombeo

### 25 psi (1.7 bar) Máximo

DESCRIPCION	NO. DE PARTE	UM
Kit de Santoprene® incluye tubo de Santoprene® <i>seleccione no. de tubo 1, 2, 3, 4 o 5 y complete el no. de parte</i>	QP25__K	KIT
Kit de Versilon®* incluye tubo de Versilon® <i>seleccione no. de tubo 1, 2, 3, 4 o 5 y complete el no. de parte</i>	QP25T__K	KIT

### EUROPA 25 psi (1.7 bar) Máximo

Kit de Santoprene® incluye tubo de Santoprene® y casquillos de 6 mm <i>seleccione no. de tubo 1, 2, 3, 4, o 5 y complete el no. de parte</i>	QP17__K	KIT
Kit de Versilon® incluye tubo de Versilon® y casquillos de 6 mm <i>seleccione no. de tubo 1, 2, 3, 4 o 5 y complete el no. de parte</i>	QP69T__K	KIT

NOTA: Verifique la compatibilidad química utilizando la tabla de compatibilidad en nuestro catálogo.

### Indice de Presión de Tubo\*

**25 psi (1.7 bar) máximo:** # 1, 2, 3, 4, 5

**100 psi (6.9 bar) máximo:** # 1, 2, 7 requiere válvula de inyección

\* Refiérase al diagrama de caudales para la selección de número de parte y tubo de bombeo.

# KITS DE SERVICIO DEL CABEZAL

## 100 psi (6.9 bar) Máximo



Conjunto de Rodillos



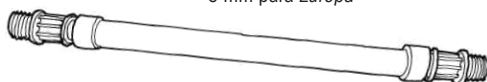
Sujetadores



Casquillos 1/4" o  
6 mm para Europa



Tuercas de Conexión



Tubo de Bombeo



Goma de Válvula  
de Inyección

### 100 psi (6.9 bar) Máximo

DESCRIPCION	NO. DE PARTE	UM
Kit de Santoprene® incluye tubo de Santoprene® y goma de válvula de inyección <i>seleccione no. de tubo 1, 2 o 7 y complete el no. de parte #7 no es para serie Clásica 100 y 170</i>	QP10__K	KIT
Kit de Versilon® incluye tubo de Versilon® y goma de válvula de inyección de Pellethane® <i>seleccione no. de tubo 1 o 2 y complete el no. de parte</i>	QP10T__K	KIT

### EUROPA 100 psi (6.9 bar) Máximo

Kit de Santoprene® incluye tubo de Santoprene®, goma de válvula de inyección y casquillos de 6 mm <i>seleccione no. de tubo 1, 2 o 7 y complete el no. de parte #7 no es para serie Clásica 100 y 170</i>	QP69__K	KIT
Kit de Versilon® incluye tubo de Versilon®, goma de válvula de inyección de Pellethane® y casquillos de 6 mm <i>seleccione no. de tubo 1 o 2 y complete el no. de parte</i>	QP69T__K	KIT

NOTA: Verifique la compatibilidad química utilizando la tabla de compatibilidad en nuestro catálogo.

### Indice de Presión de Tubo\*

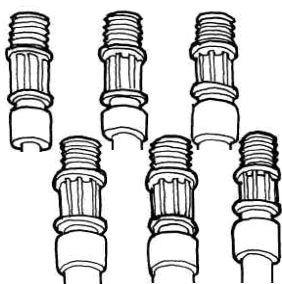
**25 psi (1.7 bar) máximo:** # 1, 2, 3, 4, 5

**100 psi (6.9 bar) máximo:** # 1, 2, 7 requiere válvula de inyección

\* Refiérase al diagrama de caudales para la selección de número de parte y tubo de bombeo.



# TUBOS DE BOMBEO



Número de Tubo localizado en la conexión

## Indice de Presión de Tubo\*

**25 psi (1.7 bar) máximo:** # 1, 2, 3, 4, 5

**100 psi (6.9 bar) máximo:** # 1, 2, 7 requiere válvula de inyección

\* Refiérase al diagrama de caudales para la selección de número de parte y tubo de bombeo.

DESCRIPCION	NO. DE PARTE	UM
Tubo de bombeo Santoprene® con casquillos de 1/4" seleccione no. de tubo 1, 2, 3, 4, 5 o 7 y complete el no. de parte #7 no es para serie Clásica 100 y 170	UCCP20__	PK de 2
	MCCP20__	PK de 5
Tubo de bombeo Santoprene® con goma de válvula de inyección y casquillos de 1/4" seleccione no. de tubo 1, 2 o 7 y complete el no. de parte #7 no es para serie Clásica 100 y 170	UCCP__FD	PK de 2
Tubo de bombeo de Versilon® con casquillos de 1/4" seleccione no. de tubo 1, 2, 3, 4 o 5 y complete el no. de parte	UCTYGO__	PK de 2
	MCTYGO__	PK de 5
Tubo de bombeo de Versilon® con goma de válvula de inyección de Pellethane® y casquillos de 1/4" seleccione no. de tubo 1 o 2 y complete el no. de parte	UCTY__FD	PK de 2

## EUROPA

Tubo de bombeo Santoprene® con casquillos de 6 mm seleccione no. de tubo 1, 2, 3, 4, 5 o 7 complete el no. de parte #7 no es para serie Clásica 100 y 170	UCCP2__CE	PK de 2
	MCCP2__CE	PK de 5
Tubo de bombeo Santoprene® con goma de válvula de inyección y casquillos de 6 mm seleccione no. de tubo 1, 2 o 7 y complete el no. de parte #7 no es para serie Clásica 100 y 170	UC__FDCE	PK de 2
Tubo de bombeo de Versilon® con casquillos de 6 mm seleccione no. de tubo 1, 2, 3, 4 o 5 y complete el no. de parte	UCTY__CE	PK de 2
	MCTY__CE	PK de 5
Tubo de bombeo de Versilon® con goma de válvula de inyección de Pellethane® y casquillos de 6 mm seleccione no. de tubo 1 o 2 y complete el no. de parte	UCTY__DCE	PK de 2

NOTA: Verifique la compatibilidad química utilizando la tabla de compatibilidad en nuestro catálogo.

# VALVULAS DE INYECCION

Válvula de Inyección de 1/4"



Válvula de Inyección de 3/8"



Válvula de Inyección de 6 mm



## 100 psi (6.9 bar) Máximo

DESCRIPCION	NO. DE PARTE	UM
Incluye goma de válvula de inyección de Santoprene® y casquillos de 1/4"	UCDBINJ	CU
	MCDBINJ	PK de 5
Incluye goma de válvula de inyección de Santoprene® y casquillos de 3/8"	UCINJ38	CU
	MCINJ38	PK de 5
Incluye goma de válvula de inyección de Pellethane® y casquillos de 1/4"	UCTYINJ	CU
	MCTYINJ	PK de 5
Incluye goma de válvula de inyección de Pellethane® y casquillos de 3/8"	UCTYIJ38	CU
	MCTYIJ38	PK de 5
Incluye goma de válvula de inyección de FKM y casquillos de 1/4"	UCKMINJ	CU
	MCKMINJ	PK de 5
Incluye goma de válvula de inyección de FKM y casquillos de 3/8"	UCKMI38	CU
	MCKMI38	PK de 5
Válvula de inyección de bola de 1/4"	BCV14TVH	CU

## EUROPA 100 psi (6.9 bar) Máximo

Incluye goma de válvula de inyección de Santoprene® y casquillos de 6 mm	UCINJCE	CU
	MCINJCE	PK de 5
Incluye goma de válvula de inyección de Pellethane® y casquillos de 6 mm	UCTINJCE	CU
	MCTINJCE	PK de 5
Incluye goma de válvula de inyección de FKM y casquillos de 6 mm	UCKMJCE	CU
	MCKMJCE	PK de 5

NOTA: Verifique la compatibilidad química utilizando la tabla de compatibilidad en nuestro catálogo.

# REFERENCIA

---

No. de Parte del Dosificador

---

Número de Serial

---

Fecha de Instalación

## **STENNER PUMPS<sup>®</sup>**

### **STENNER PUMP COMPANY**

3174 DeSalvo Road  
Jacksonville, Florida 32246 USA

Teléfono: +1.904.641.1666

Línea gratuita en EE. UU.: 1.800.683.2378

Fax: +1.904.642.1012

[sales@stenner.com](mailto:sales@stenner.com)

[www.stenner.com](http://www.stenner.com)

Horario de atención (GMT-05:00. Costa este USA):

Lunes a jueves de 7:30 a.m. a 5:30 p.m.

Viernes, de 7:00 a.m. a 5:30 p.m.

 Ensamblado en EE. UU.

© Stenner Pump Company  
Todos los derechos reservados