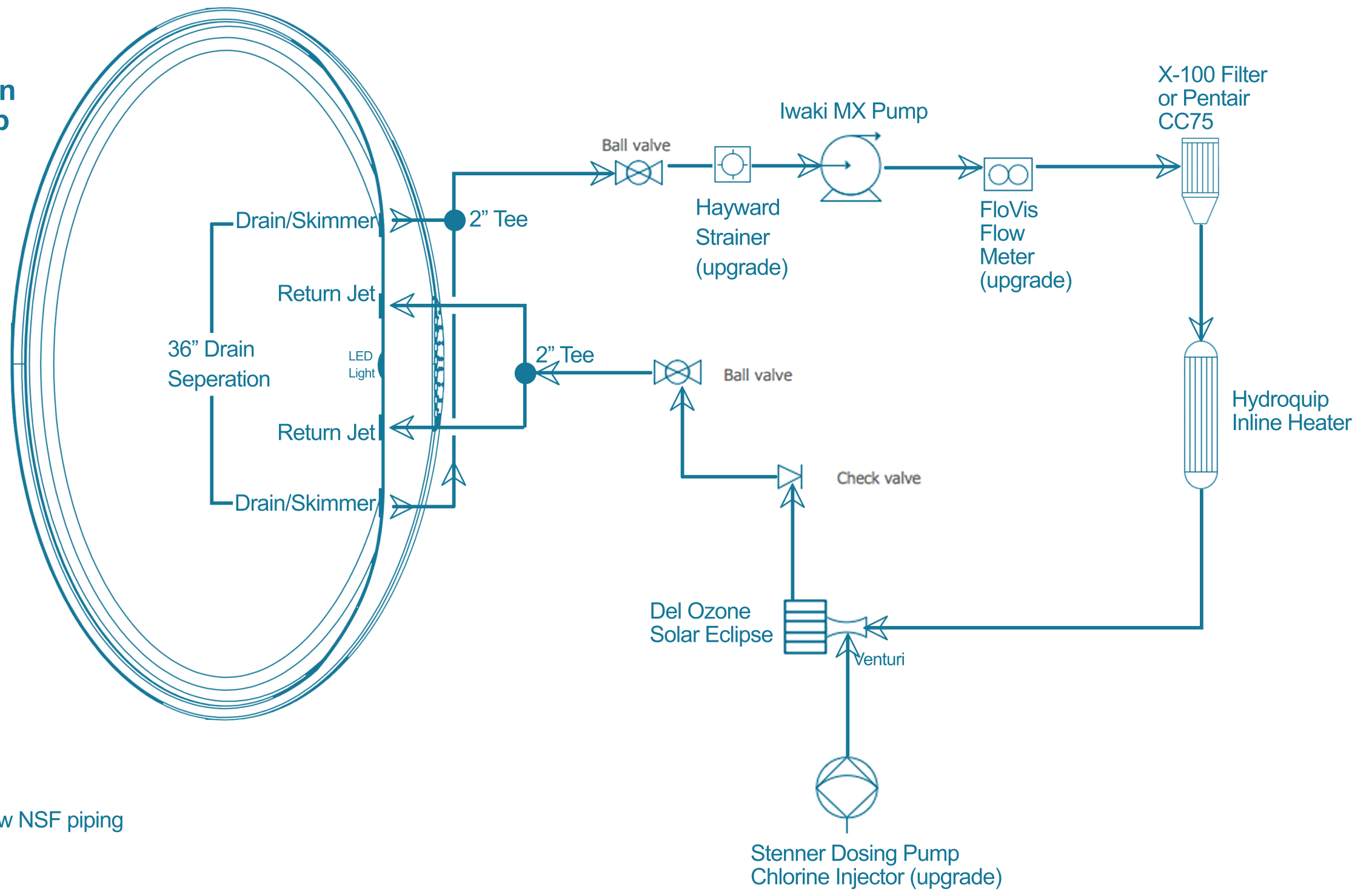



Revolution Float Orb



- All PVC pipe and fittings 2" Sch 40pw NSF piping
- Iwaki MX400CV6 magnetic pump
- FloVis Saline flow meter NSF50
- X-100 or Pentair CC75 filter NSF50
- Hydroquip C2300 titanium heater
- Del Ozone Solar Eclipse NSF50
- Stenner chlorine pump NSF50
- Praher 2" ball valves NSF50
- CMP return jet fittings (adjustable orifice)
- Balboa 31990 skimmers
- Hayward Strainer

****Float Orb Pods are self contained units and do not connect to waste water drains or water supply lines.****

 SUPERIOR FLOAT TANKS		SKETCH TITLE:	
		Revolution Float Orb Plumbing	
DATE	9-15-17	SCALE:	SFT_O_A1